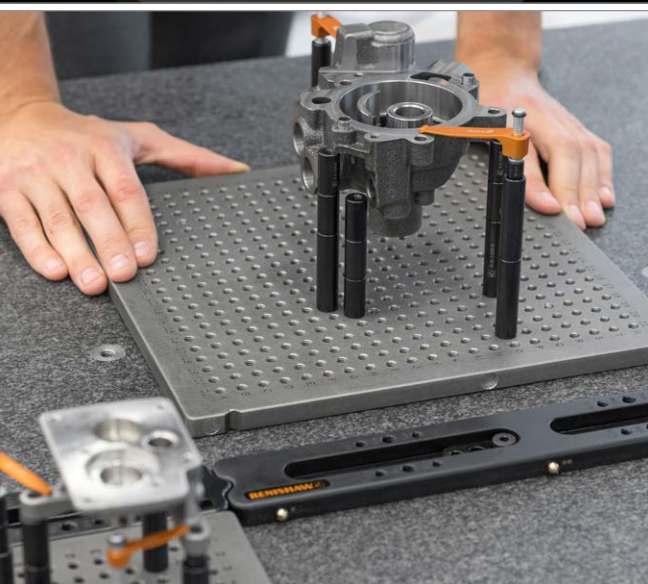
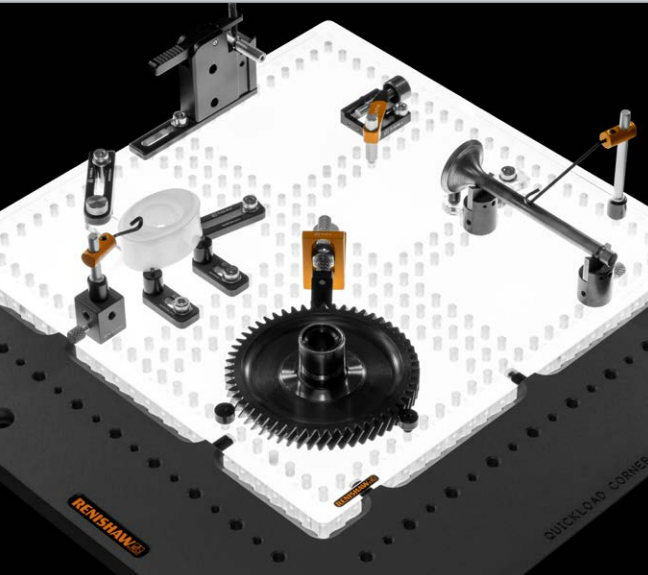


# Renishaw metrology fixturing

Your single source for modular and custom fixturing





Browse and buy components and accessories online 24/7, at  
**[www.renishaw.com/shop](http://www.renishaw.com/shop)**



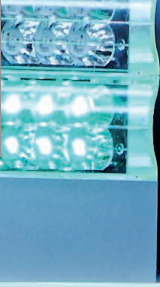
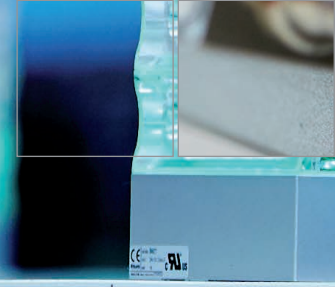
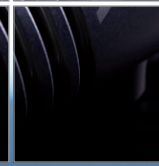
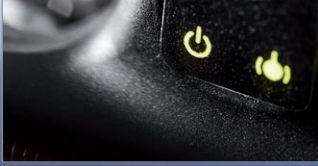
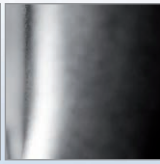
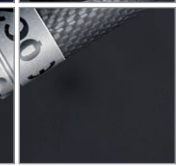
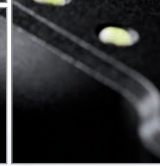
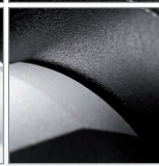
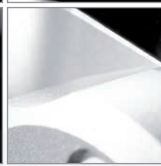
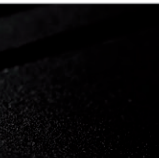
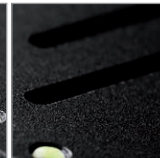
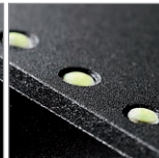
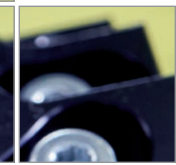
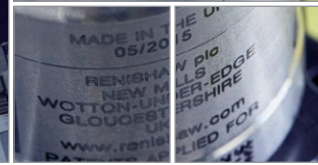
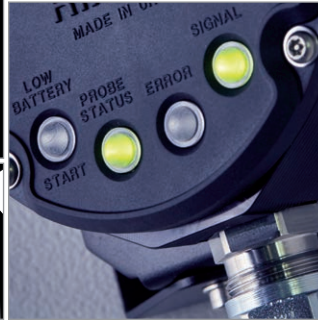
Have you got any questions or want to discuss your metrology fixturing solution further? Get in touch with your local sales office on **01453 524901**



Find our digital catalogue and additional product information online, at  
**[www.renishaw.com/fixtures](http://www.renishaw.com/fixtures)**

# Contents

<b>Your partner in precision.....</b>	<b>5</b>
<b>Why choose Renishaw fixtures? .....</b>	<b>7</b>
<b>Your fixture application.....</b>	<b>9</b>
<b>Fixturing solutions .....</b>	<b>11</b>
Metrology fixture tables .....	11
FixtureBuilder software .....	12
Custom designed fixtures.....	13
QuickLoad™ rail system .....	14
QuickLoad™ corner (QLC).....	16
Interchangeable vision fixture (IVF).....	16
<b>Fixture kits .....</b>	<b>19</b>
Steps to building the right fixture kit.....	19
<b>Fixture base plates.....</b>	<b>20</b>
Choosing the correct fixture base plate .....	20
CMM base plates .....	21
Vision base plates .....	22
Vision base plates continued .....	23
Equator™ gauging system base plates .....	23
<b>CMM and Equator™ gauging system component sets.....</b>	<b>24</b>
M4 CMM and Equator system component set: Clamping.....	24
M6 CMM and Equator system component sets: Clamping.....	25
M6 CMM and Equator system component sets: Magnetic and clamping.....	26
M8 CMM and Equator system component sets: Clamping.....	27
M8 CMM and Equator system component sets: Magnetic and clamping.....	28
¼-20 CMM and Equator component sets: Clamping .....	29
¼-20 CMM and Equator system component sets: Magnetic and clamping.....	30
<b>Vision component sets .....</b>	<b>31</b>
M4 vision component sets.....	31
M6 vision component set .....	32
¼-20 vision component sets .....	33
<b>Modular fixturing components.....</b>	<b>35</b>



# Your partner in precision

## Welcome to Renishaw

As one of the world's leading engineering and scientific technology companies, Renishaw has expertise in precision measurement, healthcare and metal additive manufacturing (also referred to as 3D printing).

## Green lights everywhere

We exist to help our customers achieve new levels of precision, efficiency and profitability.

All of our work is based on a single-minded determination to drive out sources of process variation, enhance precision control and extend the boundaries of metrology.

As manufacturers ourselves, we understand the need for optimum productivity, which is why we are dedicated to reliability in our products and unquestioning support and service in our solutions.

We aim now, as we have always done, to be the first and the best in metrology, so that, when you walk around your manufacturing facilities, you see the universal sign that your business is running smoothly: green lights everywhere.

## Extreme accuracy

Producing ever more precise measurement technology and improved manufacturing techniques are challenges, we believe, that require a certain ethos and way of working.

We have always been a research and development-focussed business that seeks every possible opportunity - both incremental and revolutionary - to bring greater reliability, accuracy and control to manufacturing.

We do these things because we know our customers need to rely on someone obsessive about every detail. Someone who will still be able to provide support for a product that's decades old. Someone who'll chase microns so customers can run their business with confidence.

## Repeatability

Whatever your business, process variation is an important consideration. It could cost you contracts, market share and customers. It can cause waste, delay, overstaffing and it compromises traceability. All of which prevent you achieving the right level of cost, quality and profitability.

**“We have a fundamental belief that metrology isn't just an eliminator of variation but an enabler of new capabilities.”**

Sir David McMurtry, Co-founder and Executive Chairman, Renishaw plc



# Why choose Renishaw fixtures?

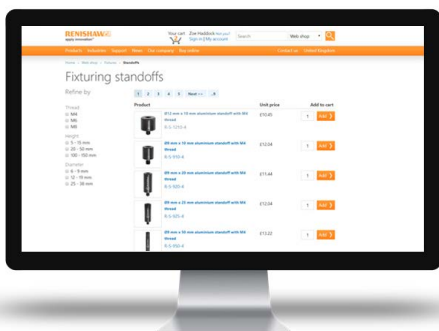
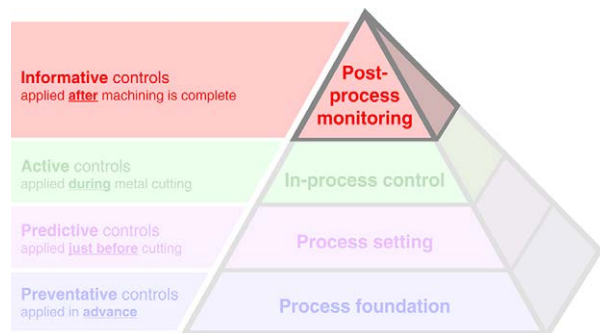
## Renishaw metrology fixtures will give you the clear advantage

- Our large range of modular fixturing components and custom design capabilities provides a solution for any application and parts of almost any size, shape or material.
- Most components are hand-tightened and require no special tools, making fixturing set-ups quick and easy.
- Set-ups can be documented and repeated with speed and precision using our alpha-numerically labelled base plates.
- Unrivalled durability and wear resistance with Renishaw's heat treated steel components and Nituff® hardcoat anodised base plates.
- Improved productivity during part inspection with Renishaw's FixtureBuilder software; create fixturing set-ups, provide documentation and assist off-line programming.
- Maximum flexibility when fixturing with a wide choice of base plates and components available in M4, M6 and M8 metric and ¼-20 imperial thread sizes.

## Perfect your process control

Within Renishaw's industry recognised Productive Process Pyramid™ framework for process control, the post-process monitoring phase is the final step to ensure effective end-to-end metrology. It is within this phase that consideration needs to be given to the fixturing solution to maximise the effectiveness of a CMM, vision machine or flexible gauge.

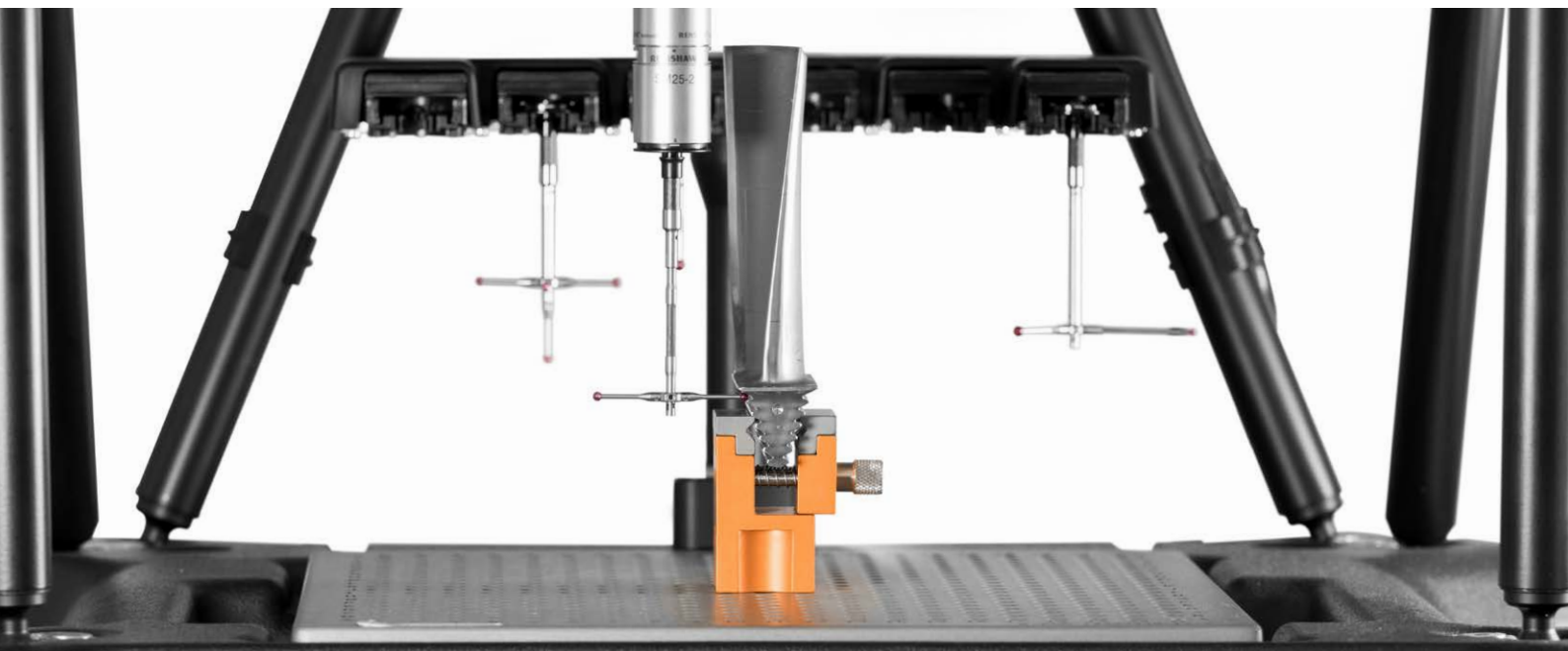
There are many benefits that the correct use of metrology fixturing can bring to your inspection process such as repeatability and reproducibility, part positioning and productivity, and cost reduction.



## Available online 24/7

As well as ordering metrology fixturing through your local sales representative, you can also purchase our modular fixturing components and FixtureBuilder software through the Renishaw Web shop. It's never been so quick, convenient and easy to order your parts, spares and accessories.

Renishaw's Web shop hosts a range of modular fixturing designed for CMMs, vision systems and the Equator™ gauging system. Parts and accessories for Renishaw's products can be purchased online 24/7, or a quote can be requested by visiting [www.renishaw.com/shop](http://www.renishaw.com/shop)





# Your fixture application



## Fixtures for co-ordinate measuring machines (CMMs)

Whether you are inspecting parts for aerospace, automotive, electronics, industrial or medical applications, Renishaw CMM fixtures can provide a full solution to your CMM fixturing requirements.

The range includes fixture plates with M4, M6, M8 or ¼-20 threaded fittings in a wide choice of standard sizes, and an extensive selection of easy-to-use modular fixturing components. Perfect fixturing solutions can be assembled very quickly to increase throughput and avoid downtime in inspection.

Renishaw CMM fixtures can improve the throughput, reproducibility and accuracy of your inspection process by providing quick and repeatable fixturing set-ups for your components. Renishaw CMM fixtures are modular and can be expanded with your requirements to provide a complete fixturing solution for any part regardless of its size, shape or material.



## Fixtures for vision systems

Renishaw's multi hole and multi window precision acrylic base plates allow for backlighting and a clear, clean view of the part. Fixturing components can quickly be threaded into the base plate and arranged in any configuration, allowing the part to be held in a virtually free state with very little force applied to the surface. The part can be viewed easily without obstruction to the backlight or probe path. Fixturing components can be placed within a tight circumference to hold and locate the smallest of parts.

Renishaw's vision fixtures offer two unique fixturing solutions designed to fit your specific vision system or multi-sensor machine:

- QuickLoad™ corner (QLC)
- Interchangeable vision fixture (IVF)

Each system uses an acrylic base plate that allows for the use of backlighting for a clear view of the part on your vision system.

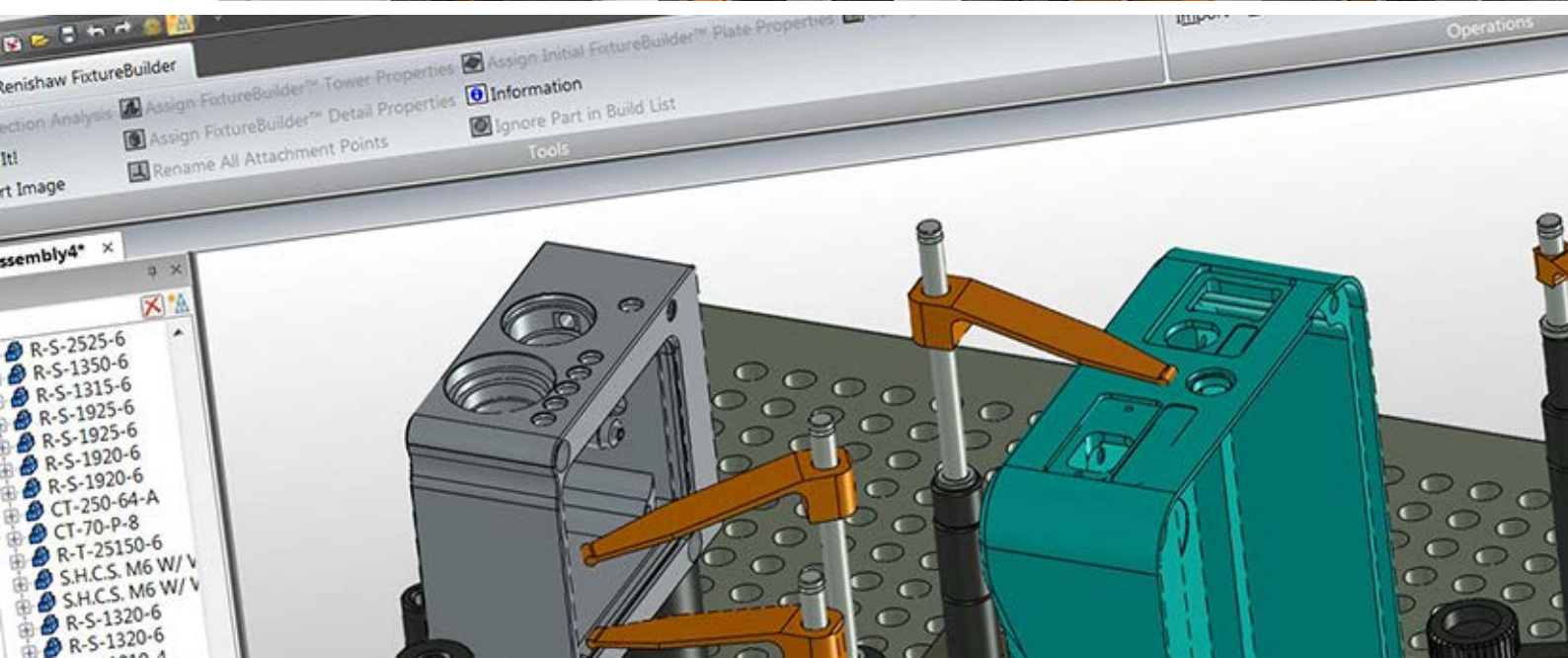
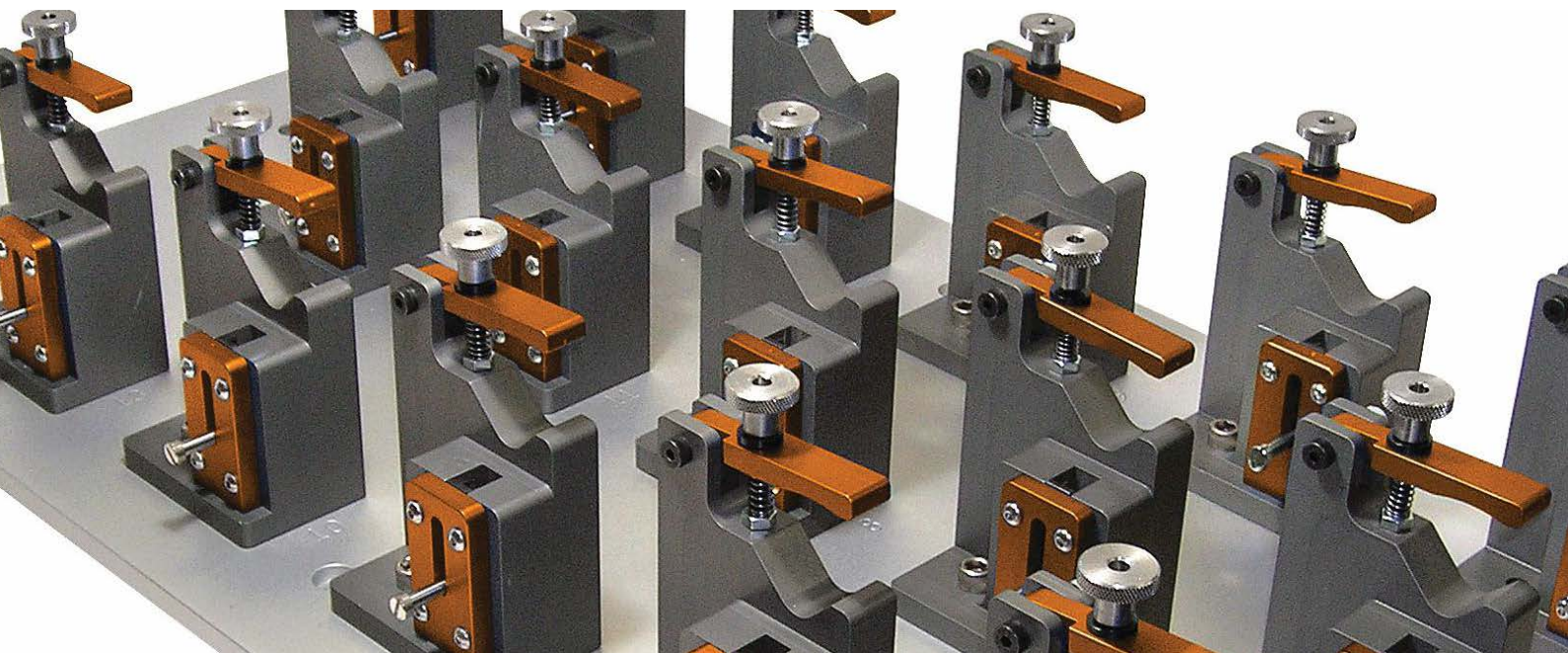


## Fixtures for Equator™ gauging system

The loading and positive engagement of the Renishaw Equator system fixtures base plate allows for a quick changeover of parts, on and off the Equator system, within seconds. Each fixture is repeatedly located and securely held in place with a unique 3-point kinematic system.

Multiple holes on the base plate ensure flexibility for fixturing a range of parts. Each plate is alphanumerically labelled so that the set-up can be recorded and documented, allowing the user to repeat the set-up quickly and accurately.

Fixturing components can be easily threaded into the base plate and positioned for minimal contact on and around the part. This provides an unobstructed probe path and the ability to inspect every detail on the part.



# Fixturing solutions

## Metrology fixture tables

**Compatible with any portable CMM, white light or laser system, our metrology tables give you the freedom to move about your workshop or metrology inspection area with ease.**

The modular construction of Renishaw's metrology tables provide flexibility to mount portable CMMs. Improve your inspection process with our metrology tables and discover the following benefits:

**Stability:** Every fixture plate is secured to the metrology table frame with mounting holes, adding to the stability and rigidity of the table. This also allows users to mount heavy parts to the table without the top plate flexing or distorting.

**Portability:** Each table is fitted with levelling casters for easy height adjustments and manoeuvrability around your metrology or inspection area.

**Repeatability:** The fixture plates are precision ground and hard coat anodised to resist scratching and increase durability. All plates come with alpha-numeric labelling as standard, for correctly documenting each fixture setup.

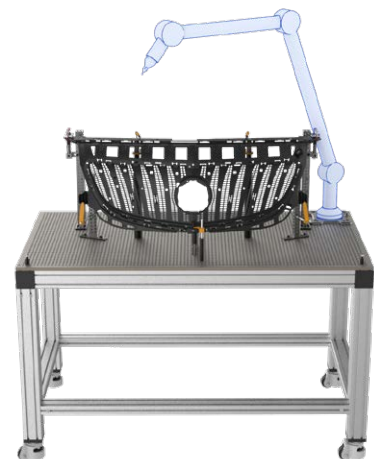
**Compatibility:** Fixture your parts using individual modular fixturing components, those from a component kit or custom fixtures. Ordering one of our universal adaptor plates (R-PAACU) will allow for fitment of any Faro, Romer or Nikon portable CMMs.

**No downtime:** Our metrology tables come fully assembled, just un-crate and start measuring.

**Designed to suit your needs:** Metrology fixture tables are available in any size to suit your requirements.

Renishaw's metrology fixture tables are available in both standard sizes (see table below) or custom sizes with fully customisable options such as drawers, shelves and monitor or laptop brackets.

Contact your local sales representative for more information or visit [www.renishaw.com/fixturementable](http://www.renishaw.com/fixturementable)



### Standard sized metrology fixture tables

Part number	Thread	Height	Width	Depth	Thread spacing
R-TM-1200900-25-6	M6	914.4 mm	1200 mm	900 mm	25 mm
R-TM-1500900-25-6	M6	914.4 mm	1500 mm	900 mm	25 mm
R-TM-18001200-25-6	M6	914.4 mm	1800 mm	1200 mm	25 mm
R-TM-1200900-30-8	M8	914.4 mm	1200 mm	900 mm	30 mm
R-TM-1500900-30-8	M8	914.4 mm	1500 mm	900 mm	30 mm
R-TM-18001200-30-8	M8	914.4 mm	1800 mm	1200 mm	30 mm
R-TM-4836-1-20	¼-20	36 in	48 in	36 in	1 in
R-TM-6036-1-20	¼-20	36 in	60 in	36 in	1 in
R-TM-7248-1-20	¼-20	36 in	72 in	48 in	1 in

## FixtureBuilder software

Renishaw's FixtureBuilder is a 3D-modelling software package designed to allow the creation and documentation of fixturing set-ups. It can also be used to assist with offline programming.

**Easy to use:** All standard base plates and fixturing components are conveniently organised into tabbed catalogues, grouped by component category and thread size.

**Flexible:** Users can create custom fixturing set-ups and components, e.g. custom plates, and store them in user-defined libraries for future use and reference.

**Less time offline:** You can export the part and the fixture together. This can greatly reduce editing when programming offline in your CMM or vision software, where fixturing components could interfere with probe clearances.

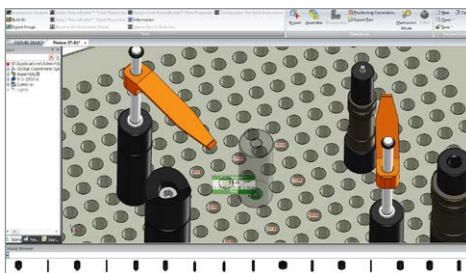
Try before you buy and download a free trial online at [www.renishaw.com/fixturebuilderdownload](http://www.renishaw.com/fixturebuilderdownload)



Renishaw's FixtureBuilder software has improved our ability to programme off-line. The software package enables us to build and export fixture set-ups using 3D models, which we then use to create inspection programmes before the part is ready. In some cases, before the part has even been manufactured! We can work from a 3D model in FixtureBuilder to create the fixture, and use this model to programme well ahead of time..

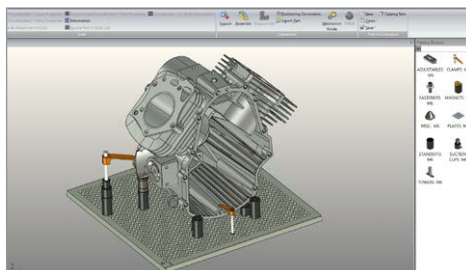


**Tritech Precision Products Yeovil (UK)**



### Intelligent 'Drag and drop' functionality

Simply drag and drop the components onto a plate or another component. The \*SmartSnap® technology automatically aligns them while indicating the mating hole, X, Y and Z co-ordinates.



### Full CAD compatibility

FixtureBuilder offers the ability to import and export most common 3D CAD files. An additional translator module for CATIA, Pro/E, UGNX, Solidworks® and Inventor® is also available for purchase.



### Compliance and quality standards

The 'Build it' function is one of the key benefits to all FixtureBuilder software users. It allows the automated production of a complete bill of materials and work instructions for every fixture set-up.

## Custom designed fixtures

If Renishaw's standard range of modular fixturing does not meet your requirements, we can provide you with custom fixtures for your CMM.

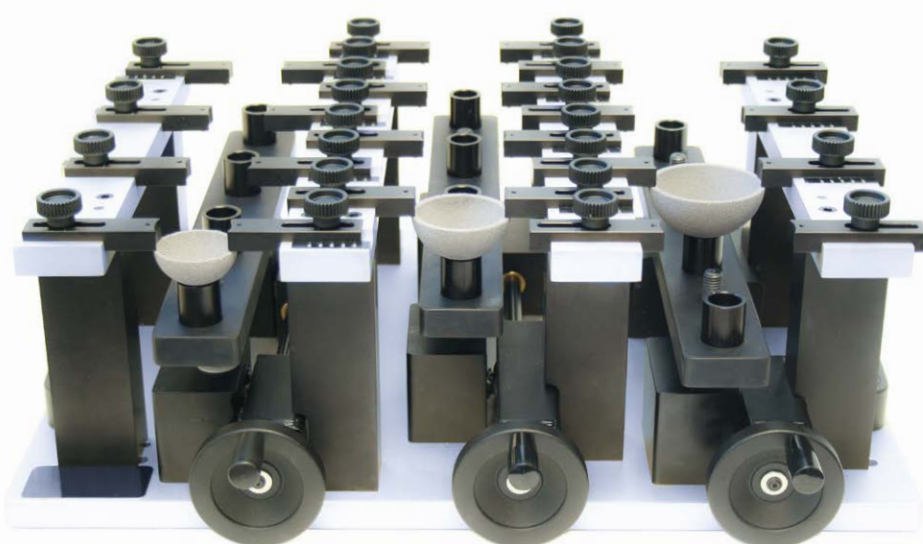
Custom fixturing applications are used across a variety of industries from aerospace to automotive and medical to precision manufacturing.

Renishaw's engineers will design and develop a custom fixture best suited to your requirements. All aspects of the application are taken into consideration, including:

- How frequently the part will be measured
- The type of material, size and shape of the part
- The dimensions and tolerances of the part
- The datums or orientation of the part
- The weight and size of the fixture

To enable us to provide the best solution, you can submit your pictures, parts, drawings or CAD files for review to your local sales representative. For more information, please contact your local sales office or complete a custom fixture request form by visiting

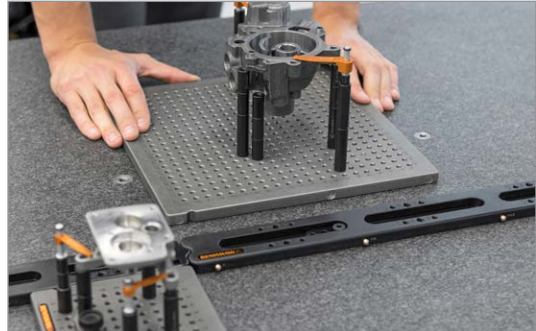
[www.renishaw.com/customfixture](http://www.renishaw.com/customfixture)



## QuickLoad™ rail system

**The QuickLoad rail system allows for increased speed and flexibility, while maintaining repeatability and reproducibility when loading and locating base plates onto a CMM.**

The QuickLoad system is rapid, easy and repeatable, allowing the user to set up parts for inspection on multiple plates, and load them to the rail efficiently to maximise throughput. Due to the simplicity of its application, it requires no additional training, so you will be up and running without disruption to your inspection process.



The specially designed QuickLoad base plates locate to the QuickLoad rail, on either side, using quick release magnets and location pins. This design ensures the plates are located and secured for maximum throughput and unrivalled repeatability. This technology gives users the ability to inspect and release parts swiftly.

The QuickLoad rail's versatile systems allows for flexibility when setting up your parts for measurement and provides a robust work-holding solution.

The design of our rail maximises the available measuring volume on your CMM. The rail can be located and secured to the CMM's granite on the left, centre, right or to an existing modular base plate, allowing multiple plates and configurations to be used, that utilise one or both sides of the QuickLoad rail.

The QuickLoad rail system is available to purchase separately or in sets. Custom sized plates are also available to order, contact your local sales representative for more information or visit [www.renishaw.com/quickloadrail](http://www.renishaw.com/quickloadrail)



## QuickLoad rails

Part number	Thread	Thickness	Width	Length
R-QLR-1350600	M4/M6/M8	12.4 mm	50 mm	600 mm
R-QLR2-1350600 (2 rails)	M4/M6/M8	12.4 mm	50 mm	600 mm
R-QLR-50224	¼-20	0.5 in	2 in	24 in
R-QLR2-50224 (2 rails)	¼-20	0.5 in	2 in	24 in

Included: all QuickLoad rails come with locating washers and M6, M8, M10, M12 & ¼-20 cap head screws.

## QuickLoad plates

Part number	Thread	Height	Width	Depth	Hole spacing
R-QLPC-13150150-12-6	M6	12.7 mm	150 mm	150 mm	12.5 mm OC
R-QLPC-13300300-12-6	M6	12.7 mm	300 mm	300 mm	12.5 mm OC
R-QLPC-13450450-12-6	M6	12.7 mm	450 mm	450 mm	12.5 mm OC
R-QLPC-13300300-15-8	M8	12.7 mm	300 mm	300 mm	15 mm OC
R-QLPC-13450450-15-8	M8	12.7 mm	450 mm	450 mm	15 mm OC
R-QLPC-5066-50-20	¼-20	0.5 in	6 in	6 in	0.5 in OC
R-QLPC-501212-50-20	¼-20	0.5 in	12 in	12 in	0.5 in OC
R-QLPC-501818-50-20	¼-20	0.5 in	18 in	18 in	0.5 in OC

## QuickLoad rail and plate sets

Part number	Thread	Contents	Quantity
R-KQL-A-6	M6	R-QLR-1350600	1
		R-QLPC-13300300-12-6	2
R-KQL-B-6	M6	R-QLR-1350600	2
		R-QLPC-13300300-12-6	2
		R-QLPC-13450450-12-6	2
R-KQL-A-8	M8	R-QLR-1350600	1
		R-QLPC-13300300-15-8	2
R-KQL-B-8	M8	R-QLR-1350600	2
		R-QLPC-13300300-15-8	2
		R-QLPC-13450450-15-8	2
R-KQL-A-20	¼-20	R-QLR-50224	1
		R-QLPC-501212-50-20	2
R-KQL-B-20	¼-20	R-QLR-50224	2
		R-QLPC-501212-50-20	2
		R-QLPC-501818-50-20	2

Included: all QuickLoad rails come with locating washers and M6, M8, M10, M12 & ¼-20 cap head screws.

## QuickLoad™ corner (QLC)

Renishaw's QuickLoad™ corner (QLC) system is designed to fit your specific vision machine.

This system is made to fit the lower left hand corner of your vision stage and the location of its mounting holes. The QuickLoad corner contains magnets that enable Renishaw's vision acrylic base plates to snap into a precise and repeatable position, enabling quick and easy loading and unloading of plates. Steel pins are pressed into the sides of the plate to fit the magnets contained in the QLC.

The edges of the QLC are serrated so that parts can be mounted directly against them with Renishaw fixturing components. This enables quick and easy viewing for inspection.

There are two plate options to choose from to accompany your QLC:

- **Multi-hole** - Set up an unlimited number of parts on the plate at one time. Ideal for fixturing parts of various shapes and sizes.
- **Multi-window** - Allows a clear, unobstructed view of your parts. Multi-window plates can accommodate numerous parts at one time with different size window options. Ideal for small part inspection.



## Interchangeable vision fixture (IVF)

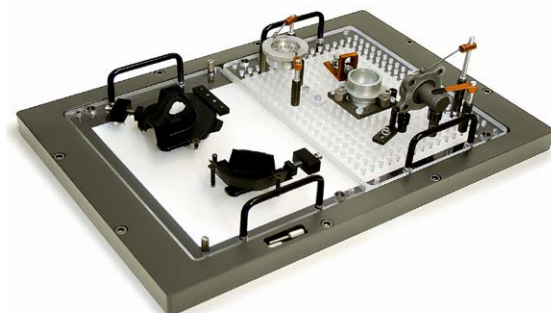
Renishaw's interchangeable vision fixture (IVF) is ideal for machines 450 mm x 450 mm or larger.

The interchangeable vision fixture (IVF) makes holding parts an easy and efficient turnkey fixturing method. Easily switch multiple fixturing plates on and off the aluminium frame mounted to your vision system.

The anodised aluminium frame and acrylic fixture plates are custom made to fit and mount to your specific vision machine taking into account the mounting of your probe rack and calibration artefacts.

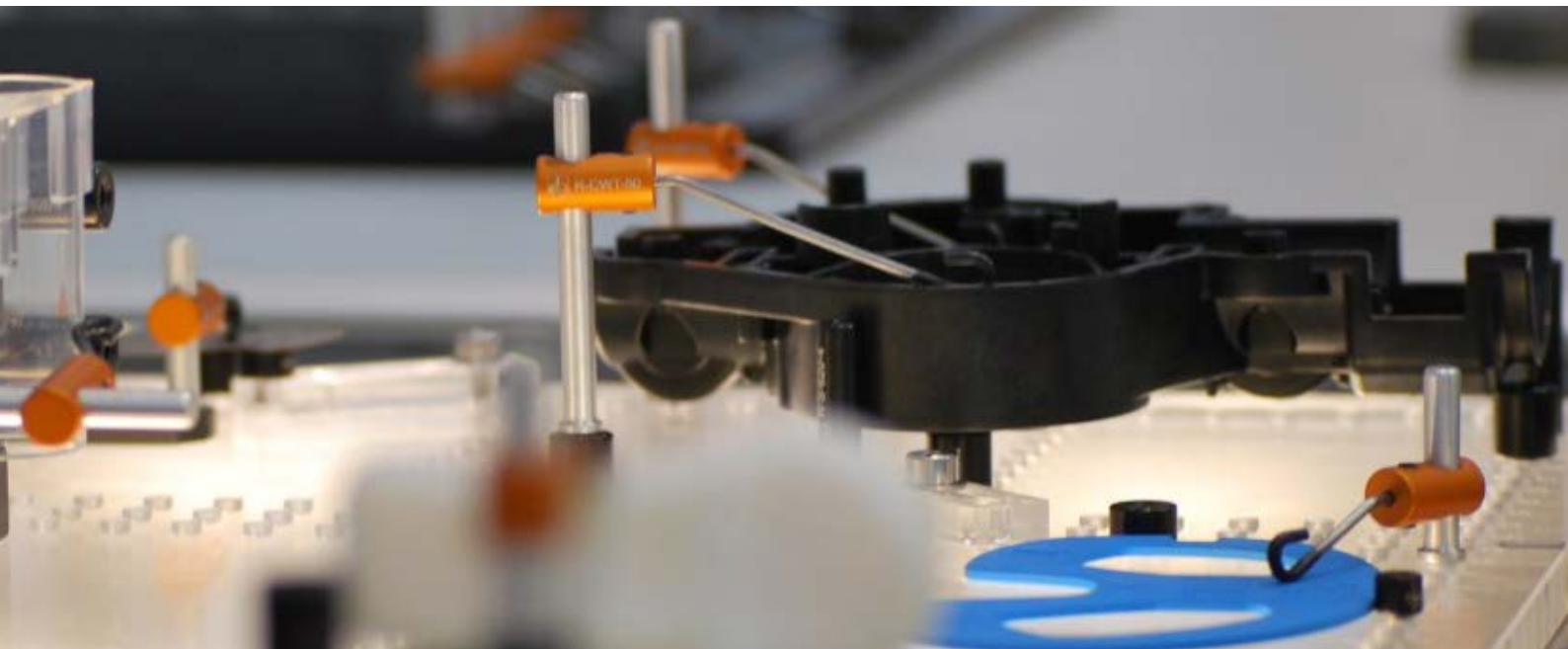
Fixturing plates can be different sizes, depending on the size of your frame and parts and the number of parts you are inspecting. Plates are designed to use all, 1/2, 1/4 or 1/8 of the frames total size and are equipped with handles to load on to the frame. Modular plates come with your choice of multi-hole or multi-window threaded hole pattern.

Interchangeable fixture plates can be modular with M4, M6 or ¼-20 threaded holes (10 mm or 0.50 in OC) or Renishaw can design and build a custom fixture for your parts.





This page is left intentionally blank.



# Fixture kits

## Steps to building the right fixture kit

It's easy to get started and build your own fixture kit using the simple steps below. However, if you are unsure, we do have preconfigured kits available. Alternatively, get in touch with our expert sales representatives who can help you build a kit unique to your needs.

A kit consists of one base plate and a comprehensive set of components available for CMM, vision, - including a QuickLoad corner (QLC) - and Equator™ gauging systems. The type of parts you are going to fixture, your machine and application, will determine which kit you choose. Renishaw offers a range of different kit choices depending on your application.

### Building your fixture kit

#### CMM and Equator kits

1. Choose a thread size: M4, M6, M8 or ¼-20
2. Choose the size of your fixture base plate
3. Choose a set of components (clamping or magnetic and clamping)

#### Vision and QLC kits

1. Choose a thread size: M4, M6 or ¼-20
2. Choose the size of your fixture acrylic base plate (multi-hole or multi-window)
3. Choose your QLC
4. Choose a set of components

## Additional considerations when building your kit

### CMM and Equator™ gauging system:

- Clamping component set
- Magnetic and clamping component set

If you are fixturing steel or cast iron parts, a magnetic and clamping component set is recommended.

Component sets are available with increasing amounts of components from A, our smallest component set, to B, our medium sized set, and finally C, our largest set. Additional components can be purchased individually to expand your kit.

### Vision:

- Multi-hole acrylic plate - more holes for attaching more components
- Multi-window acrylic plate - more windows for optimal viewing of small parts

**Don't forget to select the correct QLC specific to your vision or multi-sensor machine to accompany your acrylic base plate. To find the correct QLC compatible with your machine, please contact your local sales representative.**

# Fixture base plates

## Choosing the correct fixture base plate

Renishaw fixtures are available with a wide selection of fixture base plate sizes designed to allow fixturing of all workpieces, from very small delicate parts, up to large, heavy industrial components. Renishaw's fixture base plates are available for three main applications CMM, vision and Equator™ gauging system and because of this, there are several factors which need to be considered when choosing the correct fixture base plate:

- Application (CMM, vision or Equator gauging system)
- Machine type
- Base plate size
- Thread size

## Additional considerations for aluminium base plates

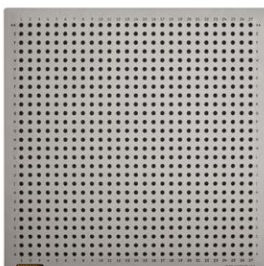
For aluminium base plates, it is important to ensure you secure your plate to the granite surface of your CMM bed. Securing your base plate is always advised, to maintain accuracy and repeatability during your inspection process. The two available options when securing your base plates are:

### Plate clamps:

- These are provided with all our standard sized plates up to 600 mm × 600 mm in size. Plates clamps can be bought for an additional cost to accompany larger or custom fixturing base plates.

### Mounting holes:

- These are only provided on a request basis and should be discussed with your sales representative when placing your order. Mounting holes can be added to any standard or custom base plates for an additional cost.



M8 CMM aluminium plate,  
12.7 mm × 450 mm × 450 mm



M6 Equator™ plate,  
12.7 mm × 300 mm × 300 mm



M4 multi-window acrylic plate,  
11.7 mm × 250 mm × 250 mm

## CMM base plates

Renishaw CMM fixture base plates are precision ground within tight tolerances that are key to the quality of the modular Renishaw fixtures system.

Base plates are available in standard and custom sizes with a choice of threaded holes: M4, M6, M8 or ¼-20. Cast aluminium base plates are coated with Nituff® hard coat anodise to resist wear and scratching and are available in sizes up to 1500 mm × 3000 mm and 60 in × 120 in. Custom sized plates are available to order.



Don't forget to secure the plate to your machine with Renishaw's plate clamps. A pair of clamps is included with all standard plates up to 600 mm × 600 mm.

To add plate clamps to a custom plate order or to add mounting holes to any standard or custom base plates, please speak with your local sales representative.

Part number	Thread	Height	Width	Depth	Spacing
<b>M4 plates</b>					
R-PC-13150150-10-4	M4	13 mm	150 mm	150 mm	10 mm OC
R-PC-13300300-10-4	M4	13 mm	300 mm	300 mm	10 mm OC
<b>M6 plates</b>					
R-PC-13150150-12-6	M6	13 mm	150 mm	150 mm	12.5 mm OC
R-PC-13300300-12-6	M6	13 mm	300 mm	300 mm	12.5 mm OC
R-PC-13450450-12-6	M6	13 mm	450 mm	450 mm	12.5 mm OC
R-PC-19600600-12-6	M6	19 mm	600 mm	600 mm	12.5 mm OC
R-PC-19750750-12-6*	M6	19 mm	750 mm	750 mm	12.5 mm OC
R-PC-197501000-12-6*	M6	19 mm	750 mm	1000 mm	12.5 mm OC
R-PC-199001200-12-6*	M6	19 mm	900 mm	1200 mm	12.5 mm OC
<b>M8 plates</b>					
R-PC-13300300-15-8	M8	13 mm	300 mm	300 mm	15 mm OC
R-PC-13450450-15-8	M8	13 mm	450 mm	450 mm	15 mm OC
R-PC-19600600-15-8	M8	19 mm	600 mm	600 mm	15 mm OC
R-PC-19750750-15-8*	M8	19 mm	750 mm	750 mm	15 mm OC
R-PC-197501020-15-8*	M8	19 mm	750 mm	1020 mm	15 mm OC
R-PC-199001200-15-8*	M8	19 mm	900 mm	1200 mm	15 mm OC
<b>¼-20 plates</b>					
R-PC-5066-50-20	¼-20	0.50 in	6 in	6 in	0.50 in OC
R-PC-501212-50-20	¼-20	0.50 in	12 in	12 in	0.50 in OC
R-PC-501818-50-20*	¼-20	0.50 in	18 in	18 in	0.50 in OC
R-PC-752424-50-20*	¼-20	0.75 in	24 in	24 in	0.50 in OC
R-PC-752840-50-20*	¼-20	0.75 in	28 in	40 in	0.50 in OC
R-PC-753030-50-20*	¼-20	0.75 in	30 in	30 in	0.50 in OC
R-PC-753648-50-20*	¼-20	0.75 in	36 in	48 in	0.50 in OC

\* Mounting holes may also be added and longer lead times may apply to larger plates.

## Vision base plates

Our acrylic fixture base plates can be customised to fit and mount to your vision stage with a small area in the centre of the plate without threaded holes, which allows an unrestricted view for very small parts.

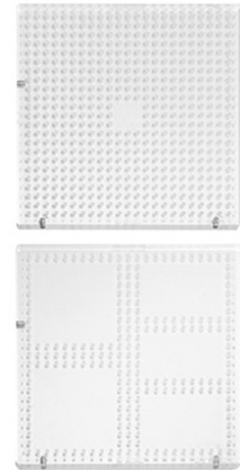
Acrylic base plates are 0.50 in (13 mm) thick and available in sizes from 150 mm × 150 mm up to 400 mm × 400 mm, available with M4, M6 or ¼-20 threaded holes. Custom sized plates are available to order.

There are two base plate options to choose from:

**Multi-hole** - offers greater flexibility to set up and check as many parts as possible at one time with a clear area in the centre of the plate.

**Multi-window** - more windows for the clearest view of small parts.

Don't forget to select the correct QuickLoad™ corner (QLC) specific to your vision or multi-sensor machine to accompany your acrylic base plate. To find the correct QLC compatible with your machine, please contact your local sales representative.



Part number	Thread	Height	Width	Depth	Windows	Spacing
<b>M4 multi-hole plates (ideal for parts 75 mm × 75 mm or smaller)</b>						
R-PV-13150150-10-4	M4	13 mm	150 mm	150 mm	-	10 mm OC
R-PV-13200200-10-4	M4	13 mm	200 mm	200 mm	-	10 mm OC
R-PV-13250150-10-4	M4	13 mm	250 mm	150 mm	-	10 mm OC
R-PV-13250250-10-4	M4	13 mm	250 mm	250 mm	-	10 mm OC
R-PV-13300200-10-4	M4	13 mm	300 mm	200 mm	-	10 mm OC
R-PV-13300300-10-4	M4	13 mm	300 mm	300 mm	-	10 mm OC
R-PV-13400400-10-4	M4	13 mm	400 mm	400 mm	-	10 mm OC
R-PV-13250150-10-4R*	M4	13 mm	250 mm	150 mm	-	10 mm OC
R-PV-13200200-10-4R*	M4	13 mm	200 mm	200 mm	-	10 mm OC
R-PV-13250250-10-4R*	M4	13 mm	250 mm	250 mm	-	10 mm OC
R-PV-13300200-10-4R*	M4	13 mm	300 mm	200 mm	-	10 mm OC
<b>M4 multi-window plates</b>						
R-PV-W-13150150-10-4	M4	13 mm	150 mm	150 mm	4	10 mm OC
R-PV-W-13200200-10-4	M4	13 mm	200 mm	200 mm	5	10 mm OC
R-PV-W-13250150-10-4	M4	13 mm	250 mm	150 mm	3	10 mm OC
R-PV-W-13250250-10-4	M4	13 mm	250 mm	250 mm	5	10 mm OC
R-PVW-13300200-10-4	M4	13 mm	300 mm	200 mm	3	10 mm OC
R-PVW-13300300-10-4	M4	13 mm	300 mm	300 mm	8	10 mm OC
R-PV-W-13400400-10-4	M4	13 mm	400 mm	400 mm	7	10 mm OC
R-PVW-13200200-10-4R*	M4	13 mm	200 mm	200 mm	5	10 mm OC
R-PVW-13250150-10-4R*	M4	13 mm	250 mm	150 mm	4	10 mm OC
R-PVW-13250250-10-4R*	M4	13 mm	250 mm	250 mm	5	10 mm OC
R-PVW-13300200-10-4R*	M4	13 mm	300 mm	200 mm	3	10 mm OC
<b>M6 multi-hole plates</b>						
R-PV-13150150-12-6	M6	13 mm	150 mm	150 mm	-	12.5 mm OC
R-PV-13250250-12-6	M6	13 mm	250 mm	250 mm	-	12.5 mm OC
<b>M6 multi-window plates</b>						
R-PV-W-13250150-12-6	M6	13 mm	250 mm	150 mm	3	12.5 mm OC
R-PV-W-13250250-12-6	M6	13 mm	250 mm	250 mm	5	12.5 mm OC
R-PV-W-13400400-12-6	M6	13 mm	400 mm	400 mm	7	12.5 mm OC

\*The letter R at end of a vision plate part number indicates that the plate is designed for use with a lower right mounting QLC.

## Vision base plates continued

Part number	Thread	Height	Width	Depth	Windows	Spacing
<b>¼-20 multi-hole plates</b>						
R-PV-5066-50-20	1/4-20	0.50 in	6 in	6 in	-	0.50 in OC
R-PV-501010-50-20	1/4-20	0.50 in	10 in	10 in	-	0.50 in OC
R-PV-50128-50-20	1/4-20	0.50 in	12 in	8 in	-	0.50 in OC
R-PV-501616-50-20	1/4-20	0.50 in	16 in	16 in	-	0.50 in OC
R-PV-501010-50-20R*	1/4-20	0.50 in	10 in	10 in	-	0.50 in OC
R-PV-501212-50-20R*	1/4-20	0.50 in	12 in	12 in	-	0.50 in OC
<b>¼-20 multi-window plates</b>						
R-PV-W-50106-50-20	1/4-20	0.50 in	10 in	6 in	4	0.50 in OC
R-PV-W-501010-50-20	1/4-20	0.50 in	10 in	10 in	5	0.50 in OC
R-PVW-50128-50-20	1/4-20	0.50 in	12 in	8 in	5	0.50 in OC
R-PV-W-501616-50-20	1/4-20	0.50 in	16 in	16 in	7	0.50 in OC
R-PVW-501010-50-20R*	1/4-20	0.50 in	10 in	10 in	5	0.50 in OC
R-PVW-501212-50-20R*	1/4-20	0.50 in	12 in	12 in	6	0.50 in OC

\*R at end of part number indicates that the plate is designed for use with a lower right mounting QLC.

## Equator™ gauging system base plates

Base plates for Renishaw Equator system fixtures use a 3-point kinematic system and can be taken on and off the Equator system within seconds.

The base plates are available in M4, M6, M8 or ¼-20 thread sizes and are all precision ground within tight tolerances.

Each plate is cast aluminium and coated with Nituff® hard coat anodise to reduce wear and scratching.



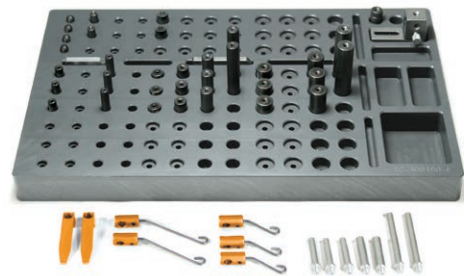
Part number	Thread	Height	Width	Depth	Spacing
<b>M4 plate</b>					
R-PCR-13300300-10-4	M4	13 mm	300 mm	300 mm	10 mm OC
<b>M6 plate</b>					
R-PCR-13300300-12-6	M6	13 mm	300 mm	300 mm	12.5 mm OC
R-PCR-13510510-25-6	M6	13 mm	510 mm	510 mm	25 mm OC
<b>M8 plate</b>					
R-PCR-13300300-15-8	M8	13 mm	300 mm	300 mm	15 mm OC
<b>¼-20 plate</b>					
R-PCR-501212-50-20	¼-20	0.50 in	12 in	12 in	0.50 in OC

# CMM and Equator™ gauging system component sets

## M4 CMM and Equator system component set: Clamping

The M4 CMM and Equator system clamping kits can be used to hold brass, titanium, aluminium, plastic and other non-ferrous parts.

To build your kit, select an appropriately sized base plate for your requirements with M4 threaded holes. Don't forget to ask your sales representative to add on plate clamps or mounting holes to your order to secure your plate to the CMM granite.



Part number	Description	Set A (part no. R-FSC-CA-4)
R-S-610-4	6 mm dia. × 10 mm standoff	3
R-S-625-4	6 mm dia. × 2 mm standoff	3
R-S-95-4	9 mm dia. × 5 mm standoff	3
R-S-910-4	9 mm dia. × 10 mm standoff	3
R-S-925-4	9 mm dia. × 25 mm standoff	3
R-S-950-4	9 mm dia. × 50 mm standoff	2
R-S-1210-4	12 mm dia. × 12 mm standoff	3
R-S-1225-4	12 mm dia. × 25 mm standoff	3
R-S-1250-4	12 mm dia. × 50 mm standoff	2
R-SP-610-4	6 mm dia. × 10 mm pin standoff	2
R-SP-910-4	9 mm dia. × 10 mm pin standoff	2
R-CT-40-25-4	40 mm tension clamp with 25 mm post	2
R-CW-25-25-4	25 mm wire clamp with 25 mm post	3
R-CW-50-50-4	50 mm wire clamp with 50 mm post	2
R-RPA-4	Aluminium resting pin	4
R-AJ-9-4	9 mm dia. adjustable jackstand	1
R-AS-30-4	30 mm long adjustable slide	1
R-AS-45-4	45 mm long adjustable slide	1
R-TB-1619-4	Tower block with base 16 mm <sup>2</sup> × 19 mm	1
R-TC-300190-4	300 mm × 190 mm × 25 mm component tray	1
R-BC10	50 mm × 200 mm × 150 mm compartment box (not shown)	1
<b>Total number of components in each set</b>		<b>46</b>



## M6 CMM and Equator system component sets: Clamping

The M6 CMM and Equator system clamping kits can be used to hold brass, titanium, aluminium, plastic and other non-ferrous parts.

To build your kit, select an appropriately sized base plate for your requirements with M6 threaded holes. Don't forget to ask your sales representative to add on plate clamps or mounting holes to your order to secure your plate to the CMM granite.



Part number	Description	Set A (part no. R-FSC-CA-6)	Set B (part no. R-FSC-CB-6)	Set C (part no. R-FSC-CC-6)
R-S-910-6	9 mm dia. × 10 mm standoff	-	3	6
R-S-1310-6	13 mm dia. × 10 mm standoff	-	-	4
R-S-1320-6	13 mm dia. × 20 mm standoff	3	6	8
R-S-1325-6	13 mm dia. × 25 mm standoff	3	6	8
R-S-1350-6	13 mm dia. × 50 mm standoff	3	6	8
R-S-1910-6	19 mm dia. × 10 mm standoff	-	3	4
R-S-1920-6	19 mm dia. × 20 mm standoff	3	6	8
R-S-1925-6	19 mm dia. × 25 mm standoff	3	6	8
R-S-1950-6	19 mm dia. × 50 mm standoff	3	6	8
R-S-19100-6	19 mm dia. × 100 mm standoff	-	4	6
R-S-2520-6	25 mm dia. × 20 mm standoff	3	6	8
R-S-2525-6	25 mm dia. × 25 mm standoff	3	6	8
R-S-2550-6	25 mm dia. × 50 mm standoff	3	6	8
R-S-25100-6	25 mm dia. × 100 mm standoff	-	4	6
R-SP-1325-6	13 mm dia. × 25 mm pin standoff	2	4	4
R-SP-1925-6	19 mm dia. × 25 mm pin standoff	-	-	2
R-CT-40-30-6	40 mm tension clamp with 30 mm post	2	6	6
R-CT-64-70-6	64 mm tension clamp with 70 mm post	4	12	12
R-CT-95-83-6	95 mm tension clamp with 83 mm post	-	-	3
R-CT-100P-83-6	100 mm tension clamp plunger with 83 mm post	-	-	3
R-CTB-25-6	25 mm tension clamp bracket	-	-	1
R-RCD-6	Delrin® resting cone	4	4	6
R-RPS-6	Steel resting pin	-	4	6
R-APJ-6	Adjustable pivot joint	-	-	1
R-AJ-13-6	13 mm dia. adjustable jackstand	1	2	4
R-AJ-25-6	25 mm dia. adjustable jackstand	-	2	3
R-AS-45-6	45 mm long adjustable slide	1	2	3
R-AS-70-6	70 mm long adjustable slide	1	2	4
R-TB-2025-6	Tower block with base 20 mm <sup>2</sup> × 30 mm	-	2	2
R-T-25300-6	25 mm <sup>2</sup> × 300 mm tower	-	-	1
R-TC-500200	500 mm × 200 mm × 25 mm component tray	1	1	2
R-BC10	50 mm × 200 mm × 150 mm compartment box (not shown)	1	1	2
<b>Total number of components in each set</b>		<b>44</b>	<b>110</b>	<b>163</b>

## M6 CMM and Equator system component sets: Magnetic and clamping

The M6 CMM and Equator system magnetic and clamping kits can be used to hold steel, aluminium, plastic, ferrous and other non-ferrous parts.

To build your kit, select an appropriately sized base plate for your requirements with M6 threaded holes. Don't forget to ask your sales representative to add on plate clamps or mounting holes to your order to secure your plate to the CMM granite.



Part number	Description	Set A (part no. R-FSC-MCA-6)	Set B (part no. R-FSC-MCB-6)	Set C (part no. R-FSC-MCC-6)
R-M-13-6	13 mm dia. × 25 mm magnet	3	4	6
R-M-19-6	19 mm dia. × 25 mm magnet	3	4	6
R-M-25-6	25 mm dia. × 25 mm magnet	3	4	6
R-MP-13-6	13 mm dia. × 25 mm pin magnet	-	2	2
R-MP-19-6	19 mm dia. × 25 mm pin magnet	-	-	2
R-S-910-6	9 mm dia. × 10 mm standoff	-	3	4
R-S-1310-6	13 mm dia. × 10 mm standoff	-	-	4
R-S-1320-6	13 mm dia. × 20 mm standoff	3	6	8
R-S-1325-6	13 mm dia. × 25 mm standoff	3	6	8
R-S-1350-6	13 mm dia. × 50 mm standoff	3	6	8
R-S-1910-6	19 mm dia. × 10 mm standoff	-	3	4
R-S-1920-6	19 mm dia. × 20 mm standoff	3	6	8
R-S-1925-6	19 mm dia. × 25 mm standoff	3	6	8
R-S-1950-6	19 mm dia. × 50 mm standoff	3	6	8
R-S-19100-6	19 mm dia. × 100 mm standoff	-	3	6
R-S-2520-6	25 mm dia. × 20 mm standoff	3	6	8
R-S-2525-6	25 mm dia. × 25 mm standoff	3	6	8
R-S-2550-6	25 mm dia. × 50 mm standoff	3	6	8
R-S-25100-6	25 mm dia. × 100 mm standoff	-	3	6
R-CT-40-30-6	40 mm tension clamp with 30 mm post	-	4	4
R-CT-64-70-6	64 mm tension clamp with 70 mm post	4	8	8
R-CT-95-83-6	95 mm tension clamp with 83 mm post	-	-	2
R-CTB-25-6	25 mm tension clamp bracket	-	-	1
R-RCD-6	Delrin® resting cone	4	4	6
R-RPS-6	Steel resting pin	-	4	6
R-APJ-6	Adjustable pivot joint	-	-	1
R-AJ-13-6	13 mm dia. adjustable jackstand	1	2	3
R-AJ-25-6	25 mm dia. adjustable jackstand	-	2	3
R-AS-45-6	45 mm long adjustable slide	1	2	3
R-AS-70-6	70 mm long adjustable slide	1	2	3
R-TB-2025-6	Tower block with base 20 mm <sup>2</sup> × 30 mm	-	2	2
R-T-25300-6	25 mm <sup>2</sup> × 300 mm tower	-	-	1
R-TC-500200	500 mm × 200 mm × 25 mm component tray	1	1	2
R-BC10	50 mm × 200 mm × 150 mm compartment box (not shown)	1	1	2
<b>Total number of components in each set</b>		<b>49</b>	<b>112</b>	<b>165</b>

## M8 CMM and Equator system component sets: Clamping

The M8 CMM and Equator system clamping component set can be used to hold aluminium, plastic, brass, titanium and other non-ferrous parts.

To build your kit, select an appropriately sized base plate for your requirements with M8 threaded holes. Don't forget to ask your sales representative to add on plate clamps or mounting holes to your order to secure your plate to the CMM granite.



Part number	Description	Set A (part no. R-FSC-CA-8)	Set B (part no. R-FSC-CB-8)	Set C (part no. R-FSC-CC-8)
R-S-1315-8	13 mm dia. × 15 mm standoff	-	3	4
R-S-1320-8	13 mm dia. × 20 mm standoff	3	6	8
R-S-1325-8	13 mm dia. × 25 mm standoff	3	6	8
R-S-1350-8	13 mm dia. × 50 mm standoff	3	6	8
R-S-1915-8	19 mm dia. × 15 mm standoff	-	3	4
R-S-1920-8	19 mm dia. × 20 mm standoff	3	6	8
R-S-1925-8	19 mm dia. × 25 mm standoff	3	6	8
R-S-1950-8	19 mm dia. × 50 mm standoff	3	6	8
R-S-19100-8	19 mm dia. × 100 mm standoff	-	4	6
R-S-2520-8	25 mm dia. × 20 mm standoff	3	6	8
R-S-2525-8	25 mm dia. × 25 mm standoff	3	6	8
R-S-2550-8	25 mm dia. × 50 mm standoff	3	6	8
R-S-25100-8	25 mm dia. × 100 mm standoff	-	4	6
R-SP-1325-8	13 mm dia. × 25 mm pin standoff	2	4	6
R-CT-40-30-8	40 mm tension clamp with 30 mm post	2	6	6
R-CT-64-70-8	64 mm tension clamp with 70 mm post	4	12	12
R-CT-95-83-8	95 mm tension clamp with 83 mm post	-	-	3
R-CT-100P-83-8	100 mm tension clamp plunger with 83 mm post	-	-	3
R-CTB-25-8	25 mm tension clamp bracket	-	-	1
R-RCD-8	Delrin® resting cone	4	4	4
R-RCS-8	Steel resting cone	-	4	4
R-APJ-8	Adjustable pivot joint	-	-	1
R-AJ-19-8	19 mm dia. adjustable jackstand	1	2	4
R-AJ-25-8	25 mm dia. adjustable jackstand	-	2	3
R-AS-45-8	45 mm long adjustable slide	-	1	3
R-AS-70-8	70 mm long adjustable slide	1	3	4
R-TB-2530-8	Tower block with base	-	2	2
R-T-25300-8	25 mm <sup>2</sup> × 300 mm tower	-	-	1
R-TC-500200	500 mm × 200 mm × 25 mm component tray	1	1	2
R-BC10	50 mm × 200 mm × 150 mm compartment box (not shown)	1	1	2
<b>Total number of components in each set</b>		<b>43</b>	<b>110</b>	<b>153</b>

## M8 CMM and Equator system component sets: Magnetic and clamping

The M8 CMM and Equator system magnetic and clamping component set can be used to hold steel, aluminium, plastic, ferrous and other non-ferrous parts.

To build your kit, select an appropriately sized base plate for your requirements with M8 threaded holes. Don't forget to ask your sales representative to add on plate clamps or mounting holes to your order to secure your plate to the CMM granite.



Part number	Description	Set A (part no. R-FSC-MCA-8)	Set B (part no. R-FSC-MCB-8)	Set C (part no. R-FSC-MCC-8)
R-M-13-8	13 mm dia. × 25 mm magnet	3	4	6
R-M-19-8	19 mm dia. × 25 mm magnet	3	4	6
R-M-25-8	25 mm dia. × 25 mm magnet	3	4	6
R-MP-13-8	13 mm dia. × 25 mm pin magnet	-	2	2
R-MP-19-8	19 mm dia. × 25 mm pin magnet	-	-	2
R-S-1315-8	13 mm dia. × 15 mm standoff	-	3	3
R-S-1320-8	13 mm dia. × 20 mm standoff	3	6	8
R-S-1325-8	13 mm dia. × 25 mm standoff	3	6	8
R-S-1350-8	13 mm dia. × 50 mm standoff	3	6	8
R-S-1915-8	19 mm dia. × 15 mm standoff	-	3	3
R-S-1920-8	19 mm dia. × 20 mm standoff	3	6	8
R-S-1925-8	19 mm dia. × 25 mm standoff	3	6	8
R-S-1950-8	19 mm dia. × 50 mm standoff	3	6	8
R-S-19100-8	19 mm dia. × 100 mm standoff	-	4	6
R-S-2520-8	25 mm dia. × 20 mm standoff	3	6	8
R-S-2525-8	25 mm dia. × 25 mm standoff	3	6	8
R-S-2550-8	25 mm dia. × 50 mm standoff	3	6	8
R-S-25100-8	25 mm dia. × 100 mm standoff	-	4	6
R-CT-40-30-8	40 mm tension clamp with 30 mm post	-	4	4
R-CT-64-70-8	64 mm tension clamp with 70 mm post	3	8	8
R-CT-95-83-8	95 mm tension clamp with 83 mm post	-	-	2
R-CTB-25-8	25 mm tension clamp bracket	-	-	1
R-RCD-8	Delrin® resting cone	4	4	4
R-RCS-8	Steel resting cone	-	4	4
R-APJ-8	Adjustable pivot joint	-	-	1
R-AJ-19-8	19 mm dia. adjustable jackstand	1	2	3
R-AJ-25-8	25 mm dia. adjustable jackstand	-	2	3
R-AS-45-8	45 mm long adjustable slide	-	1	3
R-AS-70-8	70 mm long adjustable slide	1	3	3
R-TB-2530-8	Tower block with base	-	2	2
R-T-25300-8	25 mm <sup>2</sup> × 300 mm tower	-	-	1
R-TC-500200	500 mm × 200 mm × 25 mm component tray	1	1	2
R-BC10	50 mm × 200 mm × 150 mm compartment box (not shown)	1	1	2
<b>Total number of components in each set</b>		<b>47</b>	<b>114</b>	<b>155</b>

## 1/4-20 CMM and Equator system component sets: Clamping

The 1/4-20 CMM and Equator system clamping component set can be used to hold aluminium, plastic, brass, titanium and other non-ferrous parts.

To build your kit, select an appropriately sized base plate for your requirements with 1/4-20 threaded holes. Don't forget to ask your sales representative to add on plate clamps or mounting holes to your order to secure your plate to the CMM granite.



Part number	Description	Set A (part no. R-FSC-CA-20)	Set B (part no. R-FSC-CB-20)	Set C (part no. R-FSC-CC-20)
R-S-37550-20	0.375 in dia. × 0.50 in standoff	-	3	6
R-S-5050-20	0.50 in dia. × 0.50 in standoff	-	-	4
R-S-5075-20	0.50 in dia. × 0.75 in standoff	3	6	8
R-S-501-20	0.50 in dia. × 1.0 in standoff	3	6	8
R-S-502-20	0.50 in dia. × 2.0 in standoff	3	6	8
R-S-7550-20	0.75 in dia. × 0.50 in standoff	-	3	4
R-S-7575-20	0.75 in dia. × 0.75 in standoff	3	6	8
R-S-751-20	0.75 in dia. × 1.0 in standoff	3	6	8
R-S-752-20	0.75 in dia. × 2.0 in standoff	3	6	8
R-S-754-20	0.75 in dia. × 4.0 in standoff	-	6	6
R-S-175-20	1.0 in dia. × 0.75 in standoff	3	6	8
R-S-11-20	1.0 in dia. × 1.0 in standoff	3	6	8
R-S-12-20	1.0 in dia. × 2.0 in standoff	3	6	8
R-S-14-20	1.0 in dia. × 4.0 in standoff	-	4	6
R-SP-501-20	0.50 in dia. × 1.0 in pin standoff	2	4	4
R-SP-751-20	0.75 in dia. × 1.0 in pin standoff	-	-	2
R-CT-160-125-20	1.6 in tension clamp with 1.25 in post	2	6	6
R-CT-250-275-20	2.5 in tension clamp with 2.75 in post	4	12	12
R-CT-375-325-20	3.75 in tension clamp with 3.25 in post	-	-	3
R-CT-4P-325-20	4.0 in tension clamp plunger with 3.25 in post	-	-	3
R-CTB-1-20	1.0 in tension clamp bracket	-	-	1
R-RCD-20	Delrin® resting cone	3	4	6
R-RPS-20	Steel resting pin	-	4	6
R-APJ-20	Adjustable pivot joint	-	-	1
R-AJ-50-20	0.50 in dia. adjustable jackstand	1	2	4
R-AJ-1-20	1.0 in dia. adjustable jackstand	-	2	3
R-AS-1-20	1.0 in long adjustable slide	1	2	3
R-AS-3-20	3.0 in long adjustable slide	1	2	4
R-TB-751-20	Tower block with base 0.75 in <sup>2</sup> × 1.0 in	-	2	2
R-T-112-20	1.0 in <sup>2</sup> × 12.0 in tower (1 row, 4 sides)	-	-	1
R-TC-500200	20 in × 8 in × 1 in component tray	1	1	2
R-BC10	8 in × 8 in × 2 in compartment box (not shown)	1	1	2
<b>Total number of components in each set</b>		<b>42</b>	<b>109</b>	<b>161</b>

## ¼-20 CMM and Equator system component sets: Magnetic and clamping

The ¼-20 CMM and Equator system magnetic and clamping component set can be used to hold steel, aluminium, plastic, ferrous and other non-ferrous parts.

To build your kit, select an appropriately sized base plate for your requirements with ¼-20 threaded holes. Don't forget to ask your sales representative to add on plate clamps or mounting holes to your order to secure your plate to the CMM granite.



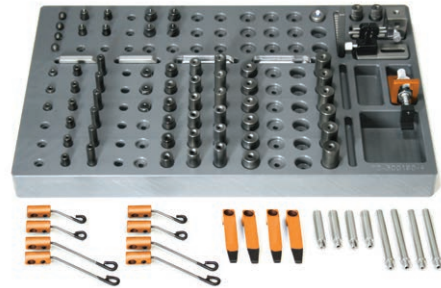
Part number	Description	Set A (part no. R-FSC-MCA-20)	Set B (part no. R-FSC-MCB-20)	Set C (part no. R-FSC-MCC-20)
R-M-50-20	0.50 in dia. × 1.0 in magnet	3	4	6
R-M-75-20	0.75 in dia. × 1.0 in magnet	3	4	6
R-M-1-20	1.0 in dia. × 1.0 in magnet	3	4	6
R-MP-50-20	0.50 in dia. × 1.0 in pin magnet	-	2	2
R-MP-75-20	0.75 in dia. × 1.0 in pin magnet	-	-	2
R-S-37550-20	0.375 in dia. × 0.50 in standoff	-	3	4
R-S-5050-20	0.50 in dia. × 0.50 in standoff	-	-	4
R-S-5075-20	0.50 in dia. × 0.75 in standoff	3	6	8
R-S-501-20	0.50 in dia. × 1.0 in standoff	3	6	8
R-S-502-20	0.50 in dia. × 2.0 in standoff	3	6	8
R-S-7550-20	0.75 in dia. × 0.50 in standoff	-	3	4
R-S-7575-20	0.75 in dia. × 0.75 in standoff	3	6	8
R-S-751-20	0.75 in dia. × 1.0 in standoff	3	6	8
R-S-752-20	0.75 in dia. × 2.0 in standoff	3	6	8
R-S-754-20	0.75 in dia. × 4.0 in standoff	-	3	6
R-S-175-20	1.0 in dia. × 0.75 in standoff	3	6	8
R-S-11-20	1.0 in dia. × 1.0 in standoff	3	6	8
R-S-12-20	1.0 in dia. × 2.0 in standoff	3	6	8
R-S-14-20	1.0 in dia. × 4.0 in standoff	-	6	6
R-CT-160-125-20	1.6 in tension clamp with 1.25 in post	-	4	4
R-CT-250-275-20	2.5 in tension clamp with 2.75 in post	4	8	8
R-CT-375-325-20	3.75 in tension clamp with 3.25 in post	-	-	2
R-CTB-1-20	1.0 in tension clamp bracket	-	-	1
R-RCD-20	Delrin® resting cone	3	4	6
R-RPS-20	Steel resting pin	-	4	6
R-APJ-20	Adjustable pivot joint	-	-	1
R-AJ-50-20	0.50 in dia. adjustable jackstand	1	2	3
R-AJ-1-20	1.0 in dia. adjustable jackstand	-	2	3
R-AS-1-20	1.0 in long adjustable slide	1	2	3
R-AS-3-20	3.0 in long adjustable slide	1	2	3
R-TB-751-20	Tower block with base 0.75 in <sup>2</sup> × 1.0 in	-	2	2
R-T-112-20	1.0 in <sup>2</sup> × 12.0 in tower (1 row, 4 sides)	-	-	1
R-TC-500200	20 in × 8 in × 1 in component tray	1	1	2
R-BC10	8 in × 8 in × 2 in compartment box (not shown)	1	1	2
<b>Total number of components in each set</b>		<b>47</b>	<b>111</b>	<b>163</b>

# Vision component sets

## M4 vision component sets

The M4 vision component set is ideal for holding small intricate parts, ferrous or non-ferrous.

N.B.: Ensure that the acrylic plate and QuickLoad corner you select will fit your specific machine. Please contact your local sales representative to discuss your requirements.



Part number	Description	Set A (part no. R-FSV-A-4)	Set B (part no. R-FSV-B-4)
R-S-65-4*	6 mm dia. × 5 mm standoff	-	3
R-S-610-4	6 mm dia. × 10 mm standoff	3	6
R-S-625-4	6 mm dia. × 25 mm standoff	3	6
R-S-95-4	9 mm dia. × 5 mm standoff	3	3
R-S-910-4	9 mm dia. × 10 mm standoff	3	6
R-S-920-4	9 mm dia. × 20 mm standoff	3	6
R-S-925-4	9 mm dia. × 25 mm standoff	3	6
R-S-1210-4	12 mm dia. × 10 mm standoff	3	6
R-S-1225-4	12 mm dia. × 25 mm standoff	3	6
R-SP-610-4	6 mm dia. × 10 mm pin standoff	2	4
R-SP-910-4	9 mm dia. × 10 mm pin standoff	2	4
R-CTT-40-25-4	40 mm tension clamp with coated soft tip with 25 mm post	2	4
R-CWT-25-25-4	25 mm wire clamp with coated soft tip with 25 mm post	2	4
R-CWT-50-50-4	50 mm wire clamp with coated soft tip with 50 mm post	2	4
R-CP-4	Pusher clamp	1	1
R-CVM-B-4	Micro vice clamp with base	1	1
R-CSPS-1210-4	Spring pusher standoff clamp	1	1
R-RPA-4	Aluminium resting pin	4	4
R-VC-5050-4	50 mm × 50 mm corner viewer	1	1
R-AJ-9-4	9 mm dia. adjustable jackstand	1	2
R-AS-30-4	30 mm long adjustable slide	1	2
R-ASA-45-4	45 mm long adjustable acrylic slide base	1	2
R-TB-1619-4	Tower block with base 16 mm <sup>2</sup> × 19 mm	1	1
R-TC-300190-4	300 mm × 190 mm × 25 mm component tray	1	1
R-BC10	50 mm × 200 mm × 150 mm compartment box (not shown)	1	1
<b>Total number of components in each set</b>		<b>48</b>	<b>85</b>

\* Component does not have a threaded top

## M6 vision component set

The M6 vision component set can be used to hold any type or part, ferrous or non-ferrous.

N.B.: Ensure that the acrylic plate and QuickLoad corner you select will fit your specific machine. Please contact your local sales representative to discuss your requirements.



Part number	Description	Set A (part no. R-FSV-A-6)
R-S-610-6*	6 mm dia. × 10 mm standoff	3
R-S-625-6*	6 mm dia. × 25 mm standoff	3
R-S-95-6*	9 mm dia. × 5 mm standoff	3
R-S-910-6	9 mm dia. × 10 mm standoff	3
R-S-920-6	9 mm dia. × 20 mm standoff	3
R-S-925-6	9 mm dia. × 25 mm standoff	3
R-S-1310-6	13 mm dia. × 10 mm standoff	3
R-S-1320-6	13 mm dia. × 20 mm standoff	3
R-SP-610-6	6 mm dia. × 10 mm pin standoff	2
R-SP-910-6	9 mm dia. × 10 mm pin standoff	2
R-CTT-40-30-6	40 mm tension clamp with coated soft tip with 30 mm post	4
R-CWT-25-25-6	25 mm wire clamp with coated soft tip with 25 mm post	4
R-CWT-50-50-6	50 mm wire clamp with coated soft tip with 50 mm post	4
R-CP-6	Pusher clamp	1
R-CVM-B-6	Micro vice clamp with base	1
R-CSPS-1925-6	19 mm dia. × 25 mm spring pusher standoff clamp	1
R-RPS-6	Steel resting pin	4
R-VC-7575-6	75 mm × 75 mm corner viewer	1
R-AJ-13-6	13 mm dia. adjustable jackstand	1
R-AS-45-6	45 mm long adjustable slide	1
R-ASA-45-6	45 mm long adjustable acrylic slide base	1
R-TB-2025-6	Tower block with base 20 mm <sup>2</sup> × 30 mm	1
R-TC-300190-6	300 mm × 190 mm × 25 mm component tray	1
R-BC10	50 mm × 200 mm × 150 mm compartment box (not shown)	1
<b>Total number of components in each set</b>		<b>54</b>

\* Component does not have a threaded top



## ¼-20 vision component sets

The ¼-20 vision component set can be used to hold any type of part, ferrous or non-ferrous.

N.B.: Ensure that the acrylic plate and QuickLoad corner you select will fit your specific machine. Please contact your local sales representative to discuss your requirements.



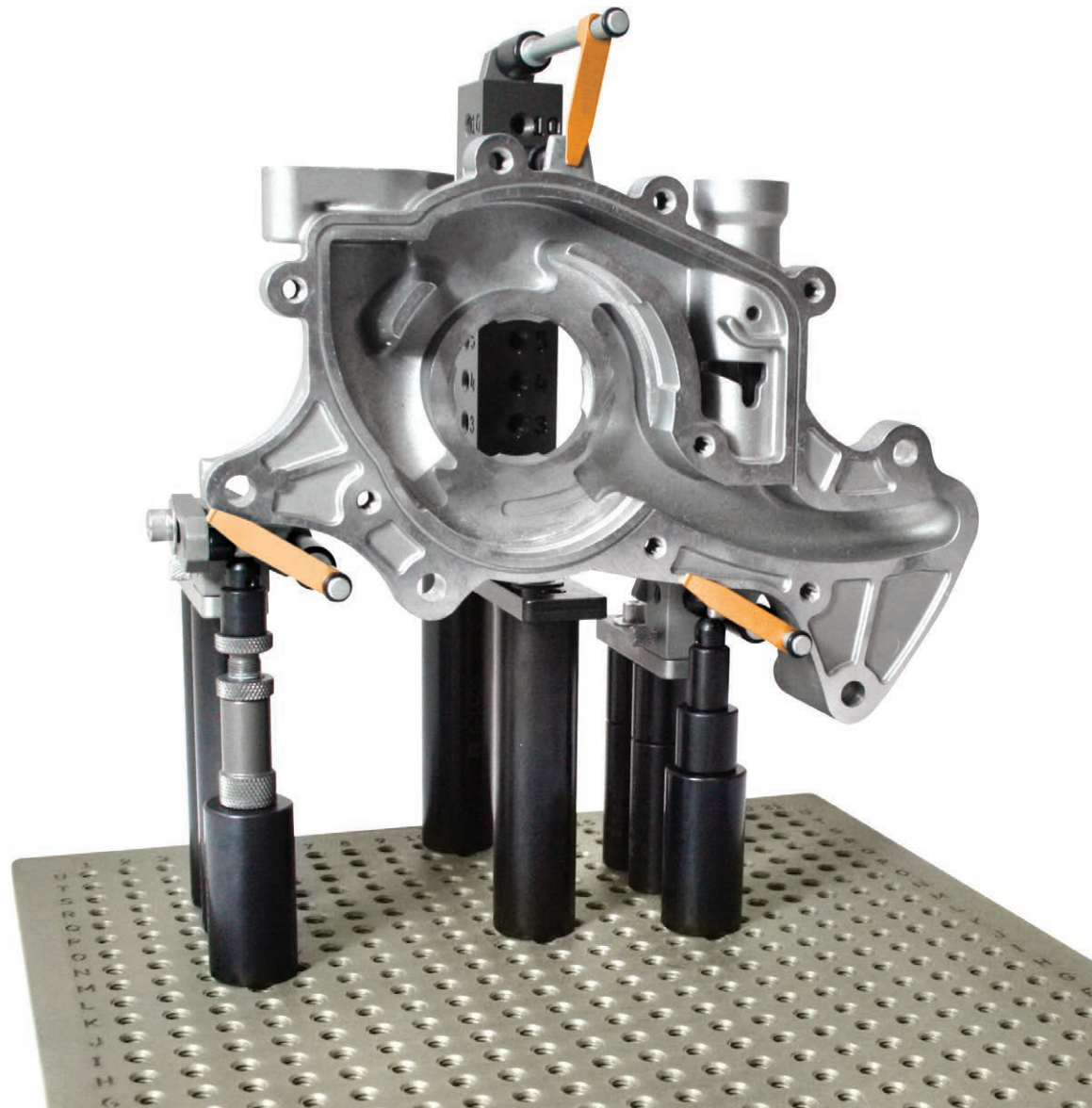
Part number	Description	Set A (part no. R-FSV-QLCA-20)	Set B (part no. R-FSV-QLCB-20)
R-S-2550-20*	0.25 in dia. × 0.50 in standoff	3	3
R-S-251-20*	0.25 in dia. × 1.0 in standoff	3	6
R-S-37525-20*	0.375 in dia. × 0.25 in standoff	3	6
R-S-37550-20	0.375 in dia. × 0.50 in standoff	3	6
R-S-37575-20	0.375 in dia. × 0.75 in standoff	3	6
R-S-3751-20	0.375 in dia. × 1.0 in standoff	3	6
R-S-5050-20	0.50 in dia. × 0.50 in standoff	3	6
R-S-5075-20	0.50 in dia. × 0.75 in standoff	3	6
R-S-501-20	0.50 in dia. × 1.0 in standoff	-	6
R-SP-2550-20	0.25 in dia. × 0.50 in pin standoff	2	4
R-SP-37550-20	0.375 in dia. × 0.50 in pin standoff	2	4
R-CTT-160-125-20	1.6 in tension clamp with rubber coated tip with 1.25 in post	4	4
R-CWT-1-1-20	1.0 in wire clamp with rubber coated tip with 1.0 in post	4	4
R-CWT-2-2-20	2.0 in wire clamp with rubber coated tip with 2.0 in post	4	4
R-RPS-20	Steel resting pin	4	4
R-VC-33-20	3.25 in × 3.25 in corner viewer	1	1
R-AJ-50-20	0.50 in dia. adjustable jackstand	1	2
R-CP-20	Pusher clamp	1	1
R-CSPS-751-20	0.75 in dia. × 1.0 in spring pusher standoff clamp	1	1
R-AS-1-20	1.0 in long adjustable slide	1	2
R-ASA-2-20	2.0 in long adjustable acrylic slide	1	2
R-TB-751-20	Tower block with base 0.75 in <sup>2</sup> × 1.0 in	1	2
R-CVM-B-20	Micro vice clamp with base	1	1
R-TC-300190-20	20 in × 8 in × 1 in component tray	1	1
R-BC10	8 in × 8 in × 2 in compartment box (not shown)	1	1
<b>Total number of components in each set</b>		<b>54</b>	<b>89</b>

\* Component does not have a threaded top

This page is left intentionally blank.

# Modular fixturing components

<b>Adjustables .....</b>	<b>36</b>
<b>Clamps.....</b>	<b>42</b>
<b>Magnets .....</b>	<b>52</b>
<b>Miscellaneous .....</b>	<b>56</b>
<b>Standoffs .....</b>	<b>60</b>
<b>Suction cups.....</b>	<b>66</b>
<b>Towers .....</b>	<b>70</b>
<b>Trays .....</b>	<b>74</b>





## Adjustables

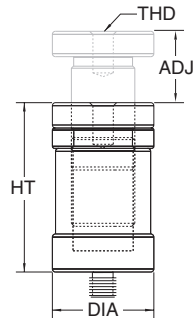
Allow for added flexibility when fixturing complex parts.

## Adjustable jack stand

To allow variable heights of up to 22 mm and then lock into position.



R-AJ-25-8



Part no.	THD	DIA	HT	ADJ
R-AJ-9-4	M4	9.5 mm	16.1 mm	7 mm
R-AJ-13-6	M6	15.9 mm	42.4 mm	13 mm
R-AJ-25-6	M6	25.4 mm	42.4 mm	13 mm
R-AJ-19-8	M8	19.1 mm	37 mm	13 mm
R-AJ-25-8	M8	25.4 mm	42.4 mm	13 mm
R-AJS-35-8	M8	38 mm	65 mm	22.5 mm
R-AJS-50-12*	M12	50 mm	94 mm	38 mm
R-AJ-50-20	¼-20	0.625 in	1.5 in	0.5 in
R-AJ-1-20	¼-20	1.0 in	1.5 in	0.5 in

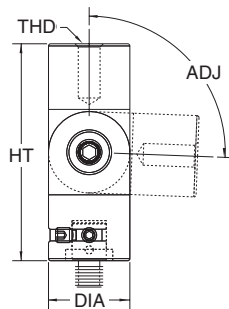
\* = component made from steel.

## Adjustable pivot joint

For positioning a component at any angle. Lock the rotating base into position and then set the angle of the pivot.



R-APJ-8



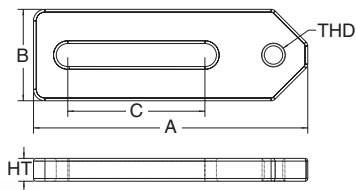
Part no.	THD	DIA	HT	ADJ
R-APJ-6	M6	19 mm	50.8 mm	186°
R-APJ-8	M8	19 mm	50.8 mm	186°
R-APJ-20	¼-20	0.75 in	2.0 in	186°

## Adjustable slide

To place components in between holes on the plate.



R-AS-45-8



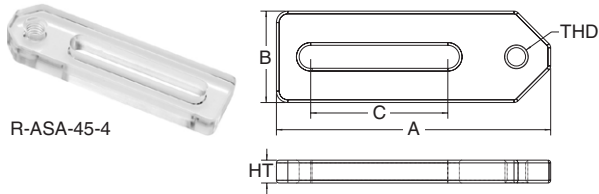
R-AS-45-4

Part no.	THD	HT	A	B	C
R-AS-30-4	M4	5 mm	30.1 mm	12.7 mm	9.3 mm
R-AS-45-4	M4	5 mm	45 mm	12.7 mm	23.8 mm
R-AS-45-6	M6	10 mm	44.5 mm	20 mm	12.9 mm
R-AS-70-6	M6	10 mm	72 mm	25 mm	33.9 mm
R-AS-45-8	M8	10 mm	44.5 mm	20 mm	12.9 mm
R-AS-70-8	M8	10 mm	71.9 mm	25 mm	33.9 mm
R-AS-150-12	M12	25 mm	175 mm	50.8 mm	100 mm
R-AS-1-20	¼-20	0.25 in	1.38 in	0.63 in	0.5 in
R-AS-3-20	¼-20	0.25 in	3.0 in	1.0 in	1.5 in

Included: socket head cap and thumb screws.

## Adjustable acrylic slide

To place components in between holes on the plate.



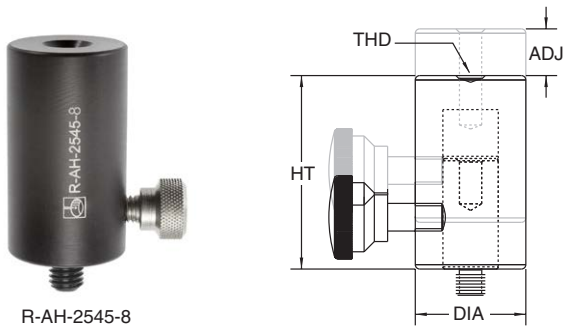
R-ASA-45-4

Part no.	THD	HT	A	B	C
R-ASA-45-4	M4	5 mm	45 mm	12.7 mm	24 mm
R-ASA-45-6	M6	10 mm	50.8 mm	20 mm	28.6 mm
R-ASA-2-20	¼-20	0.025 in	2 in	0.63 in	1.13 in

Included: socket head cap and thumb screws.

## Adjustable height stand

To allow variable heights without marring the part.

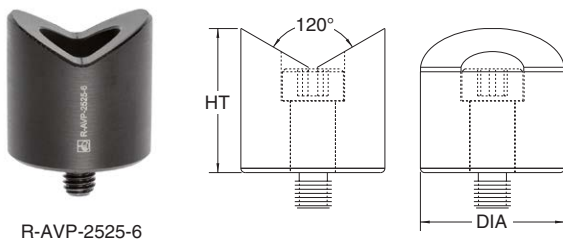


R-AH-2545-8

Part no.	THD	DIA	HT	ADJ
R-AH-2545-6	M6	25.4 mm	45 mm	9 mm
R-AH-2545-8	M8	25.4 mm	45 mm	9 mm
R-AH-1175-20	¼-20	1.0 in	1.75 in	0.375 in

## Adjustable V-post

For holding cylindrical or tubular parts without marring the part's surface. Can be rotated and locked to any orientation.



R-AVP-2525-6

Part no.	THD	DIA	HT	ADJ
R-AVP-2525-6	M6	25.1 mm	25 mm	360°
R-AVP-2525-8	M8	25.1 mm	25 mm	360°
R-AVP-11-20	¼-20	0.99 in	1.0 in	360°

Included: shoulder bolt.

## Adjustable slide mirror

To aid viewing and inspecting a part.

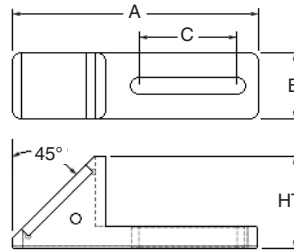


R-ASM-50-2



R-ASM-4

Part no.	THD	HT	A	B	C
R-ASM-4	M4	28.6 mm	75 mm	20.24 mm	30 mm
R-ASM-50-2	M4/ M6/ ¼-20	45.8 mm/ 1.8 in	95 mm/ 3.75 in	34.9 mm/ 1.97 in	31.8 mm/ 1.18 in



## Adjustable slide acrylic extension

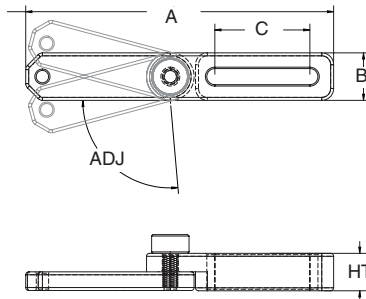
Screw any component onto the acrylic slide to extend the reach of the component.



R-ASAE-4

Part no.	THD	HT	A	B	C	ADJ
R-ASAE-4	M4	10 mm	82.3 mm	12.7 mm	25.4 mm	190°

Included: socket head screws.

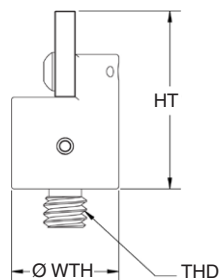


## Rotational micro V

For holding small cylindrical or tubular parts with minimal surface contact.



R-VMR-1525-4



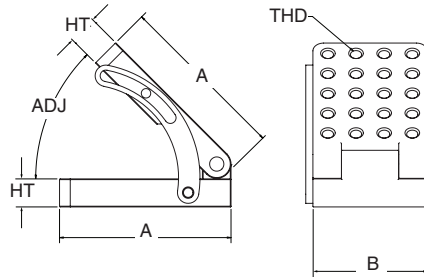
Part no.	THD	HT	WTH
R-VMR-1525-4	M4	26.5 mm	15.9 mm
R-VMR-1525-6	M6	25 mm	15.9 mm
R-VMR-631-20	¼-20	1.04 in	0.63 in

## Adjustable angle plate

Ideal for holding components on an angle. The angle plate is adjustable to 180°.



R-PCA-135075-15-8



Part no.	THD	HT	A	B	ADJ
R-PCA-135075-10-4	M4	12.3 mm	76.2 mm	50.8 mm	180°
R-PCA-135075-12-6	M6	12.3 mm	76.2 mm	50.8 mm	180°
R-PCA-135075-15-8	M8	12.3 mm	76.2 mm	50.8 mm	180°
R-PCA-5023-50-20	¼-20	0.49 in	3.0 in	2.0 in	180°

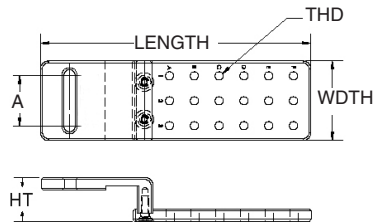
## Quick slide plate

Threaded slide plate, designed to mount fixturing components to, using the QuickLoad Corner (QLC).

R-PSQ-3272-4



R-PSQ-2042-4



Included: socket head cap screws and washers.

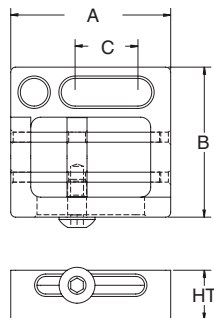
Part no.	THD	WIDTH	Length	HT	A
R-PSQ-2042-4	M4	20 mm	79 mm	17.6 mm	20.5 mm
R-PSQ-3272-4	M4	32 mm	109 mm	17.6 mm	20.5 mm

## Adjustable micro V

For cylindrical parts smaller than 6.5 mm in diameter.



R-AVM-4



Part no.	THD	HT	A	B	C
R-AVM-4	M4	8 mm	25.4 mm	23.8 mm	10 mm



This page is left intentionally blank.

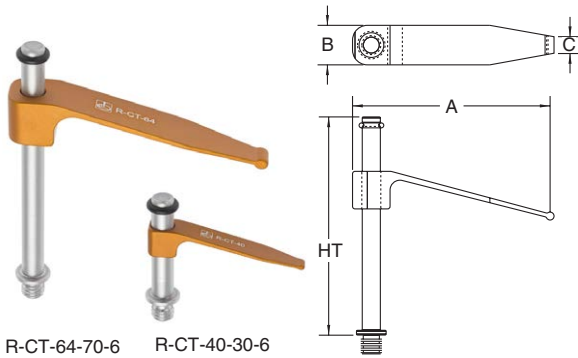


# Clamps

A wide range of clamps to secure any size part in place using minimal force.

## Tension clamp

For quick and easy clamping.



R-CT-64-70-6 R-CT-40-30-6

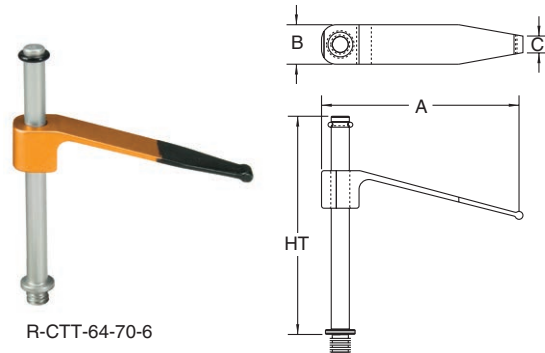
Part no.	THD	HT	A	B	C
R-CT-40-25-4	M4	25 mm	40 mm	7.6 mm	3.9 mm
R-CT-40-30-6	M6	30 mm	40 mm	7.6 mm	3.9 mm
R-CT-40-70-6	M6	68.1 mm	40 mm	7.6 mm	3.9 mm
R-CT-64-70-6	M6	68.1 mm	63.5 mm	12.7 mm	5.4 mm
R-CT-95-83-6	M6	82.8 mm	95.6 mm	19.1 mm	8.6 mm
R-CT-100P-83-6*	M6	82.8 mm	100 mm	19.1 mm	8.6 mm
R-CT-40-30-8	M8	30.1 mm	40 mm	7.6 mm	3.9 mm
R-CT-40-70-8	M8	68.2 mm	40 mm	7.6 mm	3.9 mm
R-CT-64-70-8	M8	68.2 mm	63.5 mm	12.7 mm	5.4 mm
R-CT-95-83-8	M8	80.9 mm	95.6 mm	19.1 mm	8.6 mm
R-CT-100P-83-8*	M8	80.9 mm	100 mm	19.1 mm	8.6 mm
R-CT-160-125-20	¼-20	1.26 in	1.58 in	0.3 in	0.15 in
R-CT-160-275-20	¼-20	2.76 in	1.58 in	0.3 in	0.15 in
R-CT-250-275-20	¼-20	2.76 in	2.5 in	0.5 in	0.21 in
R-CT-375-325-20	¼-20	3.26 in	3.76 in	0.75 in	0.34 in
R-CT-4P-325-20	¼-20	3.26 in	3.94 in	0.75 in	0.34 in

\* Includes a plunger for reaching over the edge of a part to a more rigid surface or to reach over another support component.

N.B. Part number under tension clamp is for reference only. See chart for complete dimensions.

## Soft tip tension clamp

Rubber coated tips hold parts without scratching or marring the surface of a part.



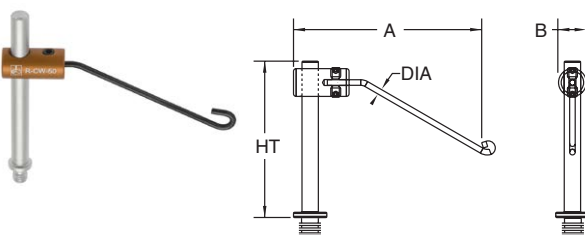
R-CTT-64-70-6

Part no.	THD	HT	A	B	C
R-CTT-40-25-4	M4	25 mm	40 mm	7.6 mm	3.9 mm
R-CTT-40-30-6	M6	30 mm	40 mm	7.6 mm	3.9 mm
R-CTT-40-70-6	M6	68.2 mm	40 mm	7.6 mm	3.9 mm
R-CTT-64-70-6	M6	68.1 mm	63.5 mm	12.7 mm	5.4 mm
R-CTT-95-83-6	M6	82.8 mm	95.6 mm	19.1 mm	8.6 mm
R-CTT-40-30-8	M8	30.1 mm	40 mm	7.6 mm	3.9 mm
R-CTT-40-70-8	M8	68.2 mm	40 mm	7.6 mm	3.9 mm
R-CTT-64-70-8	M8	68.2 mm	63.5 mm	12.7 mm	5.4 mm
R-CTT-95-83-8	M8	80.9 mm	95.6 mm	19.1 mm	8.6 mm
R-CTT-160-125-20	¼-20	1.26 in	1.58 in	0.3 in	0.15 in
R-CTT-160-275-20	¼-20	2.76 in	1.58 in	0.3 in	0.15 in
R-CTT-250-275-20	¼-20	2.76 in	2.5 in	0.5 in	0.21 in
R-CTT-375-325-20	¼-20	3.26 in	3.76 in	0.75 in	0.34 in

N.B. Part number under soft tip tension clamp is for reference only. See chart for complete dimensions.

## Spring wire clamp

For light clamping of small parts, minimising the contact area on a part and for least possible obstruction.



R-CW-50-50-4

Part no.	THD	HT	A	B	DIA
R-CW-25-25-4	M4	25 mm	36 mm	7.9 mm	1.6 mm
R-CW-50-50-4	M4	50 mm	54.5 mm	7.9 mm	1.6 mm
R-CW-25-25-6	M6	23.9 mm	36 mm	7.9 mm	1.6 mm
R-CW-50-50-6	M6	50 mm	54.5 mm	7.9 mm	1.6 mm
R-CW-1-1-20	¼-20	0.94 in	1.42 in	0.31 in	0.06 in
R-CW-2-2-20	¼-20	1.76 in	2.14 in	0.31 in	0.06 in

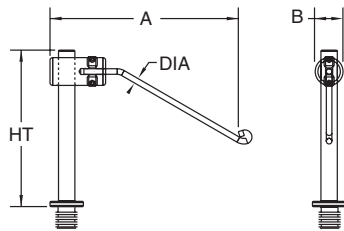
N.B. Part number under spring wire clamp is for reference only. See chart for complete dimensions.

## Soft tip spring wire clamp

With rubber coated tips for light clamping of small parts, minimising the contact area on a part and for least possible obstruction.



R-CWT-25-25-4



Part no.	THD	HT	A	B	DIA
R-CWT-25-25-4	M4	25 mm	36 mm	7.9 mm	1.6 mm
R-CWT-50-50-4	M4	50 mm	54.5 mm	7.9 mm	1.6 mm
R-CWT-25-25-6	M6	23.9 mm	36 mm	7.9 mm	1.6 mm
R-CWT-50-50-6	M6	50 mm	54.5 mm	7.9 mm	1.6 mm
R-CWT-1-1-20	¼-20	0.94 in	1.42 in	0.31 in	0.06 in
R-CWT-2-2-20	¼-20	1.76 in	2.14 in	0.31 in	0.06 in

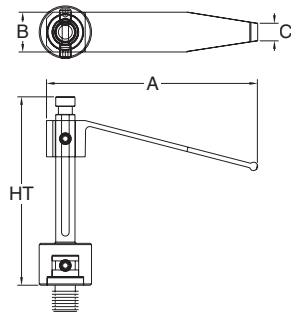
N.B. Part number under spring wire clamp is for reference only. See chart for complete dimensions.

## Positional tension clamp

Allows locking the tension clamp rotational position to avoid probing interferences from one time to the next.



R-CPT-64-58-6



Part no.	THD	HT	A	B	C
R-CPT-64-58-6	M6	57.2 mm	63.5 mm	12.7 mm	5.4 mm
R-CPTT-64-58-6*	M6	57.2 mm	63.5 mm	12.7 mm	5.4 mm
R-CPT-250-255-20	¼-20	2.25 in	2.5 in	0.5 in	0.21 in
R-CPTT-250-255-20	¼-20	2.25 in	2.5 in	0.5 in	0.21 in

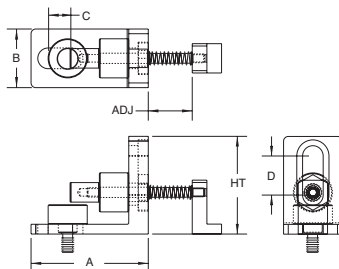
\* Part number beginning R-CPTT has rubber coated tips

## Pusher clamp

To push a part against standoffs or into corner (two interchangeable tips are included).



R-CP-4



Part no.	THD	HT	A	B	C	D	ADJ
R-CP-4	M4	31.2 mm	38.1 mm	19.1 mm	7.9 mm	12.7 mm	9.5 mm
R-CP-6	M6	31.2 mm	38.1 mm	19.1 mm	7.9 mm	12.7 mm	9.5 mm
R-CP-20	¼-20	1.23 in	1.5 in	0.75 in	0.31 in	0.5 in	0.38 in

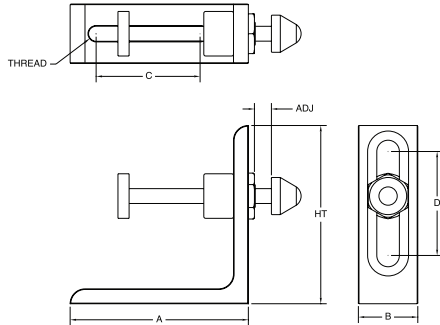
Included: socket head cap screw, thumb screw and washer.

## Screw pusher clamp

For pushing and holding a part against stops.



R-CSP



Part no.	THD	HT	A	B	C	D	ADJ
R-CSP	M6/ M8/ ¼-20	76 mm/ 3.0 in	76 mm/ 3.0 in	25 mm/ 1.0 in	44 mm/ 1.75 in	44 mm/ 1.75 in	38 mm/ 1.5 in

Included: socket head cap screw, M6, M8 and ¼-20 thumbs screw and washer.

## Micro vice clamp

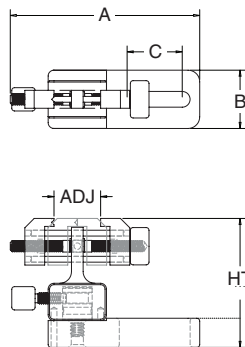
Ideal for holding parts horizontally or vertically. Jaws have a V notch for holding cylindrical and tubular parts.



R-CVM-4



R-CVM-B-4



Part no.	THD	HT	A	B	C	ADJ
R-CVM-4	M4	27.8 mm	37.8 mm	10.2 mm	–	12.7 mm
R-CVM-B-4 (with base)	M4	35.1 mm	51.5 mm	15.9 mm	15 mm	12.7 mm
R-CVM-6	M6	27.8 mm	37.8 mm	10.2 mm	–	12.7 mm
R-CVM-B-6 (with base)	M6	37.8 mm	78.3 mm	20 mm	35 mm	12.7 mm
R-CVM-20	¼-20	1.1 in	1.49 in	0.4 in	–	0.5 in
R-CVM-B-20 (with base)	¼-20	1.35 in	3.0 in	0.75 in	1.5 in	0.5 in

Included: socket head cap screws and washers.

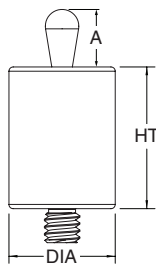
## Spring pusher standoff clamp

Designed for fixturing small parts in tight or compact space. Ideal for positioning parts and for profile clamping.



R-CSPS-1210-4

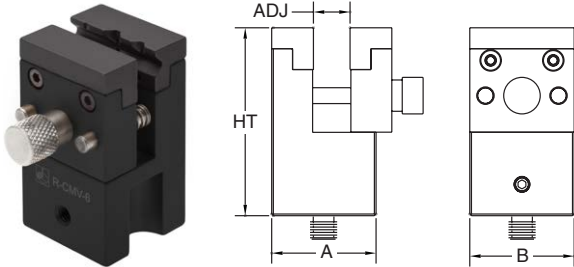
R-CSPS-1925-6



Part no.	THD	DIA	HT	A
R-CSPS-1210-4	M4	12 mm	10 mm	4 mm
R-CSPS-1515-4	M4	15 mm	15 mm	6.7 mm
R-CSPS-1925-6	M6	19 mm	25 mm	10.7 mm
R-CSPS-1925-8	M8	19.1 mm	25 mm	11 mm
R-CSPS-751-20	¼-20	0.75 in	1.0 in	0.42 in

## Mini vice

For clamping a small area of a part. Vice can be rotated 360° and then locked into position.



R-CMV-6

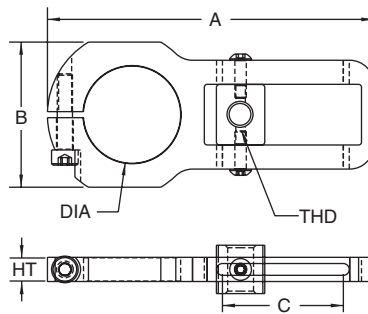
Part no.	THD	HT	A	B	ADJ
R-CMV-4	M4	57.2 mm	31.8 mm	31.8 mm	11 mm
R-CMV-6	M6	57.2 mm	31.8 mm	31.8 mm	11 mm
R-CMV-8	M8	57.2 mm	31.8 mm	31.8 mm	11 mm
R-CMV-20	¼-20	2.25 in	1.25 in	1.25 in	0.44 in

## Tension clamp bracket

To hold a tension clamp on an angle.



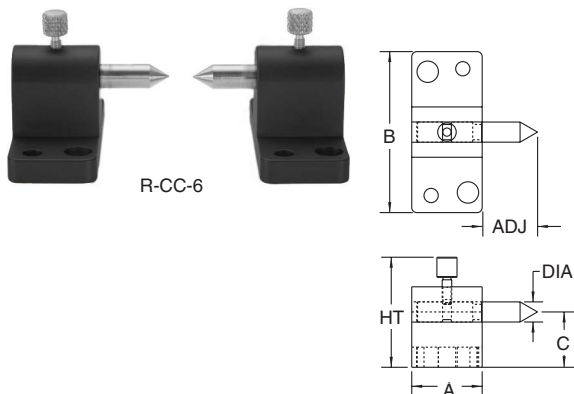
R-CTB-25-6



Part no.	THD	DIA	HT	A	B	C
R-CTB-25-6	M6	25.5 mm	6.4 mm	85.7 mm	38.1 mm	31.8 mm
R-CTB-25-8	M8	25.5 mm	6.4 mm	85.7 mm	38.1 mm	31.8 mm
R-CTB-1-20	¼-20	1.01 in	0.25 in	3.37 in	1.5 in	1.25 in

## Centres

For holding cylindrical parts at each end on their inside diameters.



R-CC-6

Part no.	THD	DIA	HT	A	B	C	ADJ
R-CC-6	M4/M6/ ¼-20	6.4 mm/ 0.25 in	38 mm/ 1.5 in	22.2 mm/ 0.875 in	50.8 mm/ 2.0 in	20 mm/ 1.10 in	16 mm/ 0.63 in
R-CC-13	M4/M6/ M8/ ¼-20	12.7 mm/ 0.50 in	50.2 mm/ 1.98 in	38.1 mm/ 1.5 in	63.5 mm/ 2.5 in	25 mm/ 1.48 in	38 mm/ 1.5 in
R-CC-25	M4/M6/ M8/ ¼-20	25.4 mm/ 1.0 in	69.2 mm/ 2.73 in	50.8 mm/ 2.0 in	76.2 mm/ 2.0 in	35 mm/ 2.13 in	50 mm/ 1.97 in

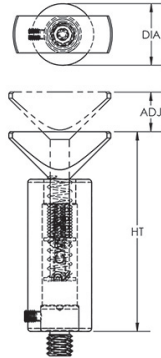
Included: both male and female centring options; socket head cap screws.

## Spring wedge clamp

Designed for securing parts using a downwards force, instead of using tension clamps.



R-CWS-6



Part no.	THD	HT	ADJ	DIA
R-CWS-6	M6	51.9 mm	9.9 mm	15.9 mm
R-CWS-20	¼-20	1.97 in	0.39 in	0.63 in

## Micro sliding pusher clamp

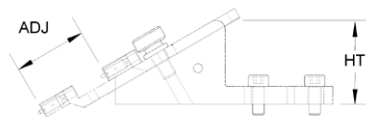
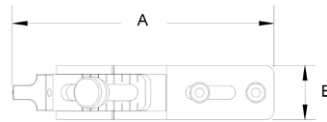
For securing small and delicate parts using a spring pointed Delrin® tip, with minimum force and contact.



R-CPSM-4

Part no.	THD	HT	A	B	ADJ
R-CPSM-4	M4	29 mm	103 mm	19 mm	25 mm

N.B. Includes socket head cap screws and washers.

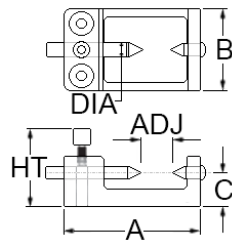


## Micro centre

Has adjustability to hold cylindrical parts up to 26 mm in length and 25.5 mm in diameter.



R-CMC-4



Part no.	THD	A	B	C	ADJ
R-CMC-4	M4	50.8 mm	31.8 mm	12.7 mm	26 mm

N.B. Includes socket head cap screws and washers.

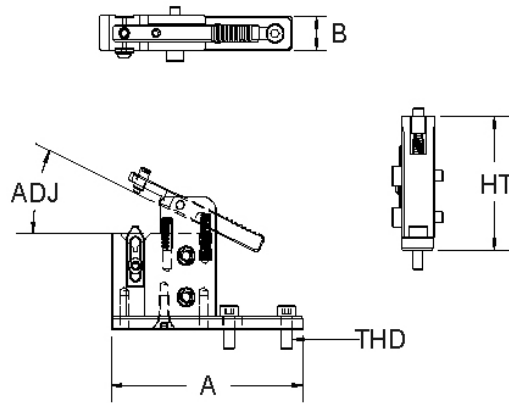
## Micro V spring clamp

The clamp has an adjustable spring arm for different diameter parts and also an adjustable end stop.

Part no.	THD	HT	A	B	ADJ
R-CSVM-4	M4	48.5 mm	75 mm	12.4 mm	0-24°



R-CSVM-4



## 3-jaw clamp

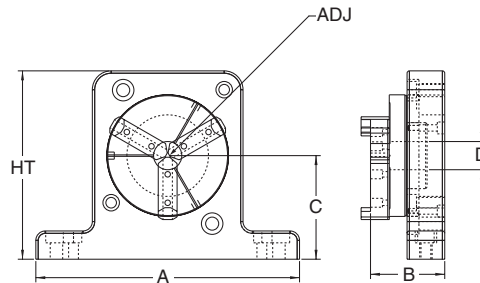
For holding round parts at one end or in the middle, allowing the probe around the part without interference.

Part no.	THD	HT	A	B	C	D	ADJ
R-CJ-3	M6/ M8/ ¼-20	127 mm/ 5 in	178 mm/ 7 in	56.3 mm/ 2.22 in	70 mm/ 2.75 in	19 mm/ 0.75 in	1.5-64.5 mm



R-CJ-3

Included: socket head cap screws.



## Rotating 3-jaw clamp

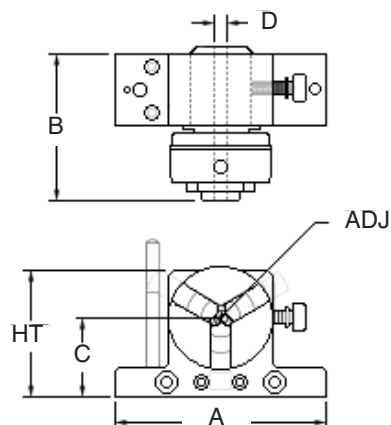
For clamping on inner and outer diameter of part, locking into position then rotated to a marked increment.

Part no.	THD	HT	A	B	C	D	ADJ
R-CJR-3	M4/ M6/ ¼-20	60 mm/ 2.38 in	102 mm/ 4 in	70 mm/ 2.76 in	38 mm/ 1.5 in	6.4 mm	1-63 mm

Included: socket head cap screws and chuck keys.



R-CJR-3





## Rotational angle vice

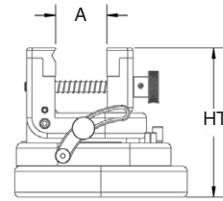
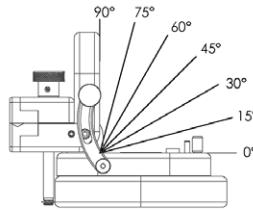
Provides quick, convenient staging for a variety of parts, can be mounted directly on the rails of your comparator. Pivot range from 0 to 90° and rotational range of 360°.

Part no.	THD	HT	A (jaws)
R-CRAV	M4/M6/¼-20	91.8 mm/3.64 in	31.5 mm/1.24 in

N.B. Dovetail nuts not included as standard.



R-CRAV



## Hold down clamp

For more clamping force.



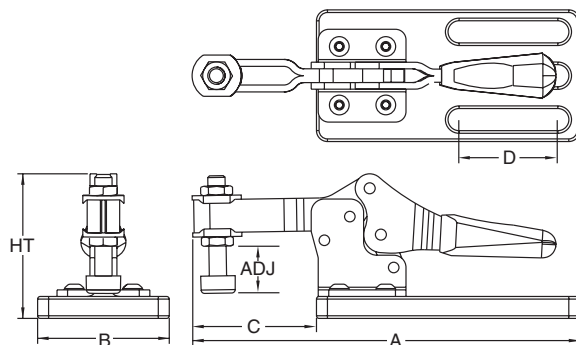
R-CH-89-6



R-CH-133-6

Part no.	THD	HT	A	B	C	D	ADJ
R-CH-89-6	M6	41.8 mm	125.3 mm	38.1 mm	35.3 mm	28.6 mm	12.7 mm
R-CH-133-6	M6	49.9 mm	139.4 mm	38.1 mm	49.4 mm	28.6 mm	7.9 mm
R-CH-89-8	M8	41.8 mm	124.2 mm	38.1 mm	35.3 mm	30 mm	12.7 mm
R-CH-133-8	M8	49.9 mm	137.9 mm	38.1 mm	49 mm	30 mm	7.9 mm
R-CH-350-20	¼-20	1.64 in	4.89 in	1.5 in	1.39 in	1.13 in	0.5 in
R-CH-525-20	¼-20	1.96 in	5.43 in	1.5 in	1.93 in	1.13 in	0.31 in

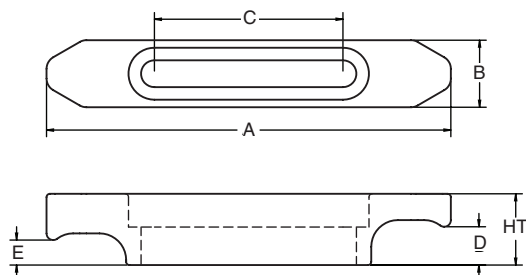
Included: socket head cap screws and washers.



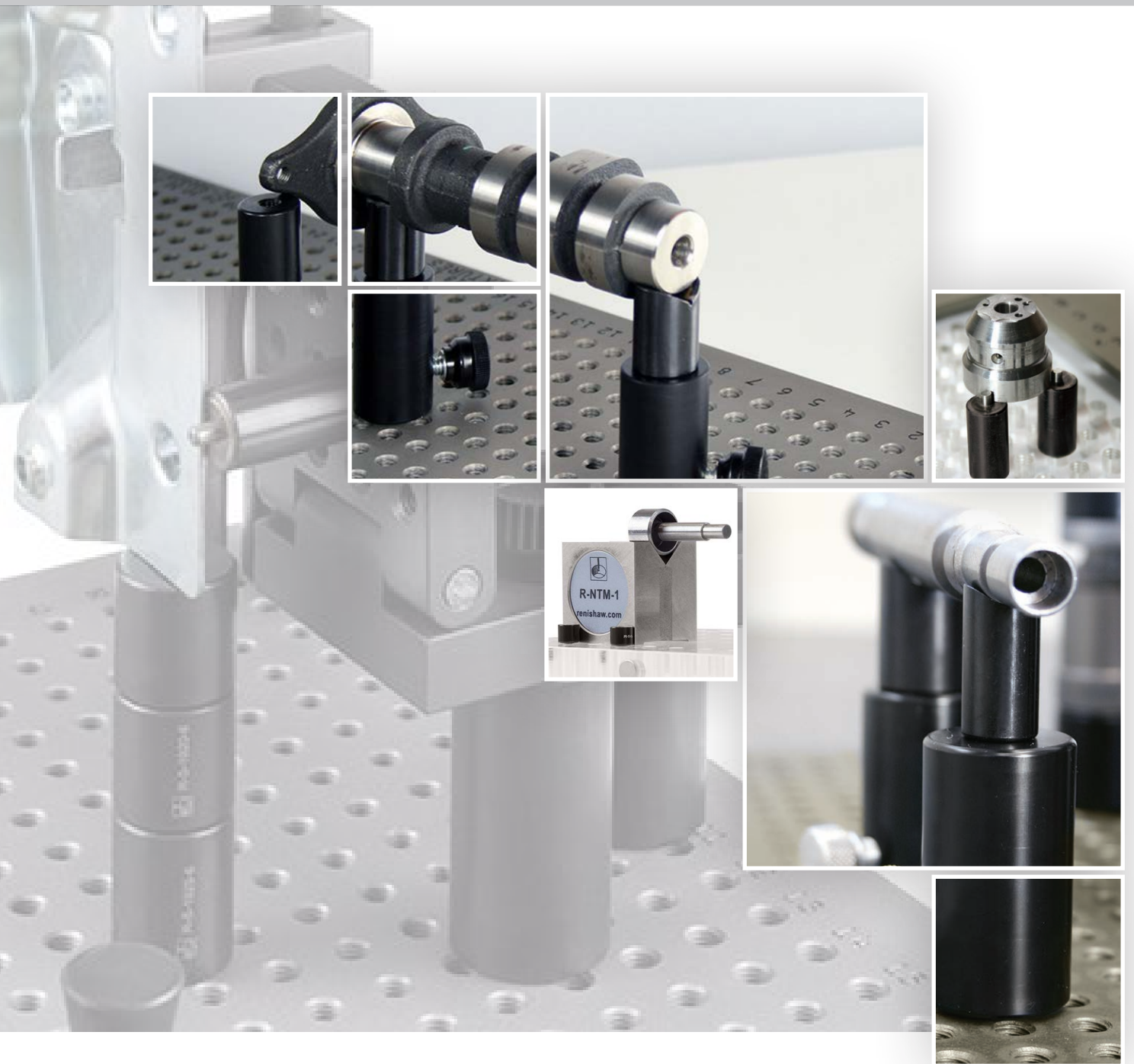
## CMM plate clamp

Non-marking clamp for securing 13 mm and 19 mm thick plates to a CMM. Includes screws for M8, M10 and M12 inserts.

Part no.	THD	HT	A	B	C	D	E
R-CPC-190	M8/M10/ M12	34 mm	193 mm	32 mm	90 mm	18.3 mm	11.9 mm



This page is left intentionally blank.



## Magnets

For holding steel or iron parts.

## Magnet

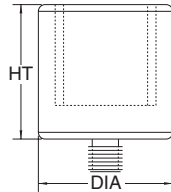
For holding steel or iron parts.



R-M-19-6



R-M-25-8



Part no.	THD	DIA	HT
R-M-6-4	M4	6.4 mm	25 mm
R-M-13-4	M4	12.7 mm	25 mm
R-M-13-6	M6	12.7 mm	25 mm
R-M-19-6	M6	19.1 mm	25 mm
R-M-25-6	M6	25.4 mm	25 mm
R-M-32-6	M6	31.8 mm	25 mm
R-M-13-8	M8	12.7 mm	25 mm
R-M-19-8	M8	19.1 mm	25 mm
R-M-25-8	M8	25.4 mm	25 mm
R-M-32-8	M8	31.8 mm	25 mm
R-M-50-20	¼-20	0.5 in	1.0 in
R-M-75-20	¼-20	0.75 in	1.0 in
R-M-1-20	¼-20	1.0 in	1.0 in
R-M-125-20	¼-20	1.25 in	1.0 in

## Pin magnet

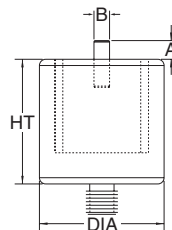
For holding and locating steel or iron parts.



R-MP-19-6



R-MP-13-8



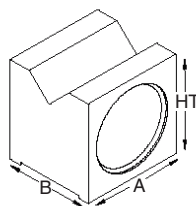
Part no.	THD	DIA	HT	A	B
R-MP-6-4	M4	6.4 mm	25 mm	3.8 mm	1.6 mm
R-MP-13-4	M4	12.7 mm	25 mm	3.8 mm	3.2 mm
R-MP-13-6	M6	12.7 mm	25 mm	3.8 mm	3.2 mm
R-MP-19-6	M6	19.1 mm	25 mm	3.8 mm	3.2 mm
R-MP-25-6	M6	25.4 mm	25 mm	3.8 mm	3.2 mm
R-MP-13-8	M8	12.7 mm	25 mm	3.8 mm	3.2 mm
R-MP-19-8	M8	19.1 mm	25 mm	3.8 mm	3.2 mm
R-MP-25-8	M8	25.4 mm	25 mm	3.8 mm	3.2 mm
R-MP-50-20	¼-20	0.5 in	1.0 in	0.15 in	0.125 in
R-MP-75-20	¼-20	0.75 in	1.0 in	0.145 in	0.125 in
R-MP-1-20	¼-20	1.0 in	1.0 in	0.15 in	0.125 in

## Magnetic mini V block

Designed to hold ferrous cylindrical parts in a V, without the need for additional tension clamps.



R-NTM-1



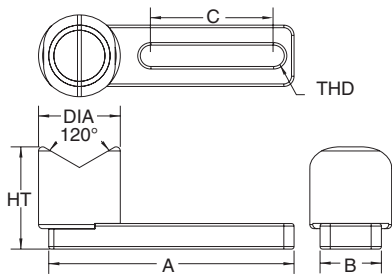
Part no.	HT	A	B
R-NTM-1	27.9 mm/ 1.1 in	27.9 mm/ 1.1 in	24.9 mm/ 1.1 in

## V magnet with base

For holding round and tubular parts.



R-MVB-25-6



Part no.	THD	DIA	HT	A	B	C
R-MVB-13-6	M6	12.7 mm	31.4 mm	76.2 mm	19.1 mm	38.1 mm
R-MVB-19-6	M6	19.1 mm	31.4 mm	76.2 mm	19.1 mm	38.1 mm
R-MVB-25-6	M6	25.4 mm	31.4 mm	76.2 mm	19.1 mm	38.1 mm
R-MVB-32-6	M6	31.8 mm	31.4 mm	76.2 mm	19.1 mm	38.1 mm
R-MVB-19-8	M8	19.1 mm	31.4 mm	76.2 mm	19.1 mm	38.1 mm
R-MVB-25-8	M8	25.4 mm	31.4 mm	76.2 mm	19.1 mm	38.1 mm
R-MVB-32-8	M8	31.8 mm	31.4 mm	76.2 mm	19.1 mm	38.1 mm
R-MVB-50-20	¼-20	0.5 in	1.25 in	3.0 in	0.75 in	1.5 in
R-MVB-75-20	¼-20	0.75 in	1.25 in	3.0 in	0.75 in	1.5 in
R-MVB-1-20	¼-20	1.0 in	1.25 in	3.0 in	0.75 in	1.5 in
R-MVB-125-20	¼-20	1.25 in	1.25 in	3.0 in	0.75 in	1.5 in

Included: socket head cap screws, thumb screws and washers.

## V magnet

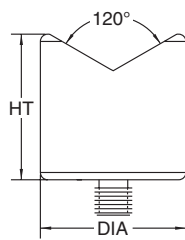
For holding cylindrical parts and bent tubing.



R-MV-13-6

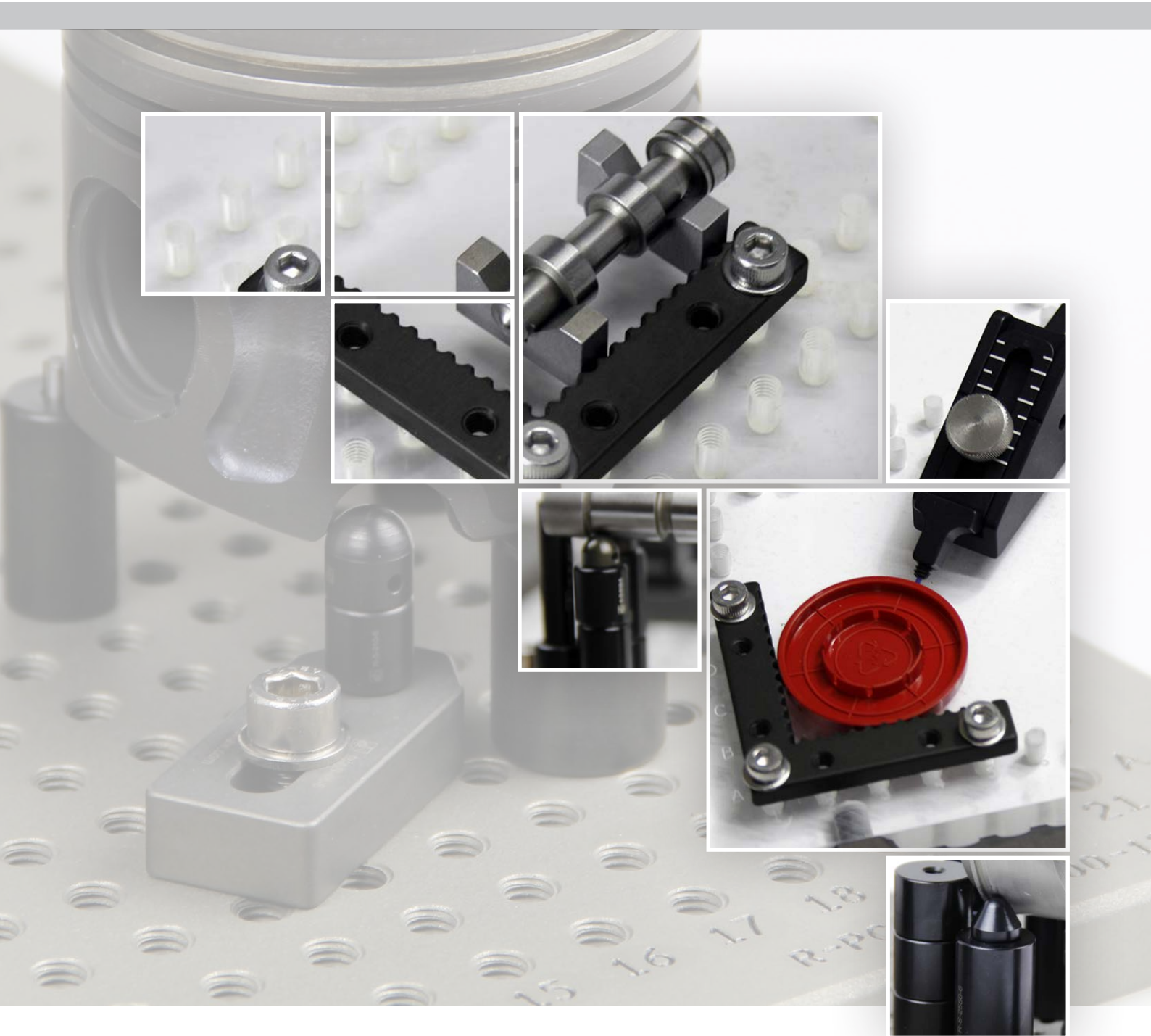


R-MV-25-8



Part no.	THD	DIA	HT
R-MV-13-6	M6	12.7 mm	25 mm
R-MV-19-6	M6	19.1 mm	25 mm
R-MV-25-6	M6	25.4 mm	25 mm
R-MV-32-6	M6	31.8 mm	25 mm
R-MV-13-8	M8	12.7 mm	25 mm
R-MV-19-8	M8	19.1 mm	25 mm
R-MV-25-8	M8	25.4 mm	25 mm
R-MV-32-8	M8	31.8 mm	25 mm
R-MV-50-20	¼-20	0.5 in	1.0 in
R-MV-75-20	¼-20	0.75 in	1.0 in
R-MV-1-20	¼-20	1.0 in	1.0 in
R-MV-125-20	¼-20	1.25 in	1.0 in

This page is left intentionally blank.



# Miscellaneous

Find the ideal solution for resting or locating parts.



## Cone

To rest a part on a rounded point for single-point contact.



Part no.	THD	DIA	HT	Material
R-RCD-6	M6	15.9 mm	12.7 mm	Delrin®
R-RCS-6	M6	15.9 mm	12.7 mm	Steel
R-RCA-6	M6	25.4 mm	19.1 mm	Aluminium
R-RCD-8	M8	15.9 mm	12.7 mm	Delrin®
R-RCS-8	M8	15.9 mm	12.7 mm	Steel
R-RCA-8	M8	25.4 mm	19.1 mm	Aluminium
R-RCS-25-8	M8	25.4 mm	19.1 mm	Steel
R-RCS-50-12	M12	50 mm	40 mm	Steel
R-RCD-20	¼-20	0.625 in	0.5 in	Delrin®
R-RCS-20	¼-20	0.625 in	0.5 in	Steel
R-RCA-20	¼-20	1.0 in	0.75 in	Aluminium

## Resting pin

To rest a part on a rounded point.



Part no.	THD	DIA	HT	Material	A
R-RPD-4	M4	6.4 mm	5 mm	Delrin®	1.6 mm
R-RPA-4	M4	6.4 mm	5 mm	Aluminium	1.6 mm
R-RPD-6	M6	9.5 mm	10 mm	Delrin®	1.9 mm
R-RPS-6	M6	9.5 mm	10 mm	Steel	1.9 mm
R-RPD-20	¼-20	0.375 in	0.375 in	Delrin®	0.075 in
R-RPS-20	¼-20	0.375 in	0.375 in	Steel	0.075 in

## Wedge stop

The wedge stops, typically used in pairs, will locate and hold down a part plus restrict the part from lifting.



Part no.	THD	DIA	HT	Material
R-WS-1010-4	M4	10 mm	15 mm	Aluminium
R-WS-915-6	M6	15 mm	20 mm	Steel
R-WS-37550-20	¼-20	0.57 in	0.75 in	Steel

## Screws and adaptors

Component replacement parts.



AATK-6

AATS-20

AATS-14

ATS-4

AAS-6

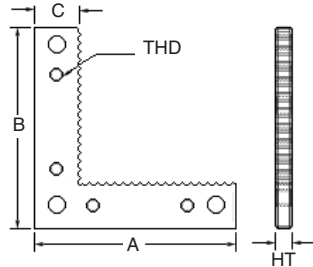
Part no.	THD	DIA	HT
<b>Thumb screw</b>			
AATK-6	M6	12 mm	20 mm
AATK-20	¼-20	0.315 in	0.348 in
<b>Screw</b>			
AATS-14	M3	6 mm	15 mm
AATS-20	M3	6 mm	20 mm
ATS-4	M4	13 mm	15 mm
<b>Adaptor</b>			
AAS-4	M4	8 mm	15 mm
AAS-6	M6	8 mm	15 mm
AAS-8	M8	11 mm	17 mm
AAS-20	¼-20	0.83 in	1.1 in

## Corner viewer

For allowing a part to be located in a corner. The serrations allow backlighting along the sides of the part.



R-VC-5050-4



Part no.	THD	HT	A	B	C
R-VC-5050-4	M4	5 mm	50 mm	50 mm	10 mm
R-VC-7575-6	M6	7 mm	82.6 mm	82.6 mm	19 mm
R-VC-33-20	¼-20	0.25 in	3.25 in	3.25 in	0.75 in

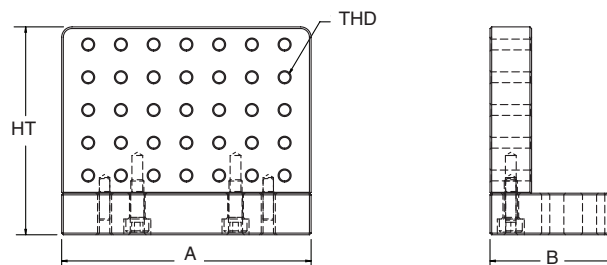
Included: socket head cap screws.

## Vertical base plate

For holding components vertically.



R-PCV-507540-10-4



Part no.	THD	HT	A	B
R-PCV-507540-10-4	M4	63.5 mm	76.2 mm	38.1 mm

## Micro V block

For holding small cylindrical parts.

Part no.	HT	WDTH	DPTH
R-VMB-20510	10 mm/0.39 in	20 mm/0.79 in	5 mm/0.2 in

N.B. Sold in pairs.



R-VMB-20510

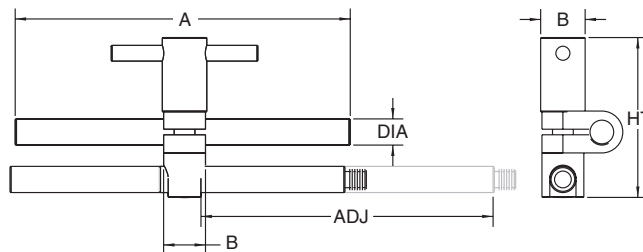
## Adjustable T-arm

To support a part on its side.

Part no.	THD	DIA	HT	A	B	ADJ
R-AT-6	M6	7.8 mm	52 mm	100 mm	12.7 mm	89 mm



R-AT-6



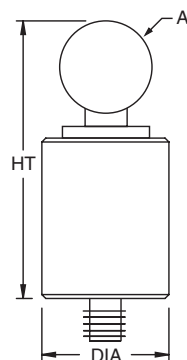
## Tooling ball

For referencing CMM co-ordinates to a program or part.

Part no.	THD	DIA	HT	A
R-STB-13-6	M6	19.1 mm	41.5 mm	12.7 mm
R-STB-13-8	M8	19.1 mm	41.5 mm	12.7 mm
R-STB-50-20	¼-20	0.75 in	1.6 in	0.5 in



R-STB-13-6



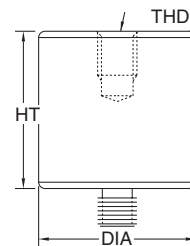


# Standoffs

Elevate and locate your part into the machine's working volume with our selection of standoffs.

## Standoff

To elevate and locate a part. Available to order in M4, M6, M8 and ¼-20 thread sizes, component information continues overleaf.



Part no.	THD	DIA	HT
<b>M4 standoffs</b>			
R-S-65-4*	M4	6 mm	5 mm
R-S-610-4*	M4	6 mm	10 mm
R-S-615-4*	M4	6 mm	15 mm
R-S-620-4*	M4	6 mm	20 mm
R-S-625-4*	M4	6 mm	25 mm
R-S-95-4*	M4	9 mm	5 mm
R-S-910-4	M4	9 mm	10 mm
R-S-915-4	M4	9 mm	15 mm
R-S-920-4	M4	9 mm	20 mm
R-S-925-4	M4	9 mm	25 mm
R-S-950-4	M4	9 mm	50 mm
R-S-125-4*	M4	12 mm	5 mm
R-S-1210-4	M4	12 mm	10 mm
R-S-1215-4	M4	12 mm	15 mm
R-S-1220-4	M4	12 mm	20 mm
R-S-1225-4	M4	12 mm	25 mm
R-S-1250-4	M4	12 mm	50 mm

N.B. M4 standoffs are made of aluminium.

\* = does not have a threaded top.

Part no.	THD	DIA	HT
<b>M6 standoffs</b>			
R-S-610-6*	M6	6.4 mm	10 mm
R-S-625-6*	M6	6.4 mm	25 mm
R-S-95-6*	M6	9.5 mm	5 mm
R-S-910-6	M6	9.5 mm	10 mm
R-S-915-6	M6	9.5 mm	15 mm
R-S-920-6	M6	9.5 mm	20 mm
R-S-925-6	M6	9.5 mm	25 mm
R-S-1310-6	M6	12.7 mm	10 mm
R-S-1315-6	M6	12.7 mm	15 mm
R-S-1320-6	M6	12.7 mm	20 mm
R-S-1325-6	M6	12.7 mm	25 mm
R-S-1350-6	M6	12.7 mm	50 mm
R-S-13100-6	M6	12.7 mm	100 mm
R-S-13150-6	M6	12.7 mm	150 mm
R-S-1910-6	M6	19.1 mm	10 mm
R-S-1915-6	M6	19.1 mm	15 mm
R-S-1920-6	M6	19.1 mm	20 mm
R-S-1925-6	M6	19.1 mm	25 mm
R-S-1950-6	M6	19.1 mm	50 mm
R-S-19100-6	M6	19.1 mm	100 mm
R-S-19150-6	M6	19.1 mm	150 mm
R-S-2515-6	M6	25.4 mm	15 mm
R-S-2520-6	M6	25.4 mm	20 mm
R-S-2525-6	M6	25.4 mm	25 mm
R-S-2550-6	M6	25.4 mm	50 mm
R-S-25100-6	M6	25.4 mm	100 mm
R-S-25150-6	M6	25.4 mm	150 mm
R-S-3825-6	M6	38.1 mm	25 mm
R-S-3850-6	M6	38.1 mm	50 mm
R-S-38150-6	M6	38.1 mm	150 mm

N.B. M6 standoffs are made of steel.

\* = does not have a threaded top.

## Standoff continued

To elevate and locate a part. Available to order in M4, M6, M8 and 1/4-20 thread sizes.



Part no.	THD	DIA	HT
<b>M8 standoffs</b>			
R-S-1315-8	M8	12.7 mm	15 mm
R-S-1320-8	M8	12.7 mm	20 mm
R-S-1325-8	M8	12.7 mm	25 mm
R-S-1350-8	M8	12.7 mm	50 mm
R-S-13100-8	M8	12.7 mm	100 mm
R-S-1915-8	M8	19.1 mm	15 mm
R-S-1920-8	M8	19.1 mm	20 mm
R-S-1925-8	M8	19.1 mm	25 mm
R-S-1950-8	M8	19.1 mm	50 mm
R-S-19100-8	M8	19.1 mm	100 mm
R-S-19150-8	M8	19.1 mm	150 mm
R-S-2520-8	M8	25.4 mm	20 mm
R-S-2525-8	M8	25.4 mm	25 mm
R-S-2550-8	M8	25.4 mm	50 mm
R-S-25100-8	M8	25.4 mm	100 mm
R-S-25150-8	M8	25.4 mm	150 mm
R-S-3825-8	M8	38.1 mm	25 mm
R-S-3850-8	M8	38.1 mm	50 mm
R-S-38150-8	M8	38.1 mm	150 mm

N.B. M8 standoffs are made of steel.

Part no.	THD	DIA	HT
<b>1/4-20 standoffs</b>			
R-S-37525-20*	1/4-20	0.375 in	0.25 in
R-S-37550-20	1/4-20	0.375 in	0.5 in
R-S-37575-20	1/4-20	0.375 in	0.75 in
R-S-3751-20	1/4-20	0.375 in	1.0 in
R-S-5025-20*	1/4-20	0.5 in	0.25 in
R-S-5050-20	1/4-20	0.5 in	0.5 in
R-S-5075-20	1/4-20	0.5 in	0.75 in
R-S-501-20	1/4-20	0.5 in	1.0 in
R-S-502-20	1/4-20	0.5 in	2.0 in
R-S-504-20	1/4-20	0.5 in	4.0 in
R-S-506-20	1/4-20	0.5 in	6.0 in
R-S-7550-20	1/4-20	0.75 in	0.5 in
R-S-7575-20	1/4-20	0.75 in	0.75 in
R-S-751-20	1/4-20	0.75 in	1.0 in
R-S-752-20	1/4-20	0.75 in	2.0 in
R-S-754-20	1/4-20	0.75 in	4.0 in
R-S-756-20	1/4-20	0.75 in	6.0 in
R-S-150-20	1/4-20	1.0 in	0.5 in
R-S-175-20	1/4-20	1.0 in	0.75 in
R-S-11-20	1/4-20	1.0 in	1.0 in
R-S-12-20	1/4-20	1.0 in	2.0 in
R-S-14-20	1/4-20	1.0 in	4.0 in
R-S-16-20	1/4-20	1.0 in	6.0 in
R-S-1501-20	1/4-20	1.5 in	1.0 in
R-S-1502-20	1/4-20	1.5 in	2.0 in
R-S-1506-20	1/4-20	1.5 in	6.0 in
R-S-251-20	1/4-20	2.5 in	1.0 in
R-S-2550-20*	1/4-20	2.5 in	5.0 in

N.B. 1/4-20 standoffs are made of steel.

## Delrin® standoff

To elevate and locate a part using a non-marring material.



Part no.	THD	DIA	HT
R-SD-610-4*	M4	6 mm	10 mm
R-SD-910-4	M4	9 mm	10 mm
R-SD-1210-4	M4	12 mm	10 mm
R-SD-925-6	M6	9 mm	25 mm
R-SD-1325-6	M6	13 mm	25 mm
R-SD-1925-6	M6	19 mm	25 mm
R-SD-3751-20	¼-20	0.375 in	1.0 in
R-SD-501-20	¼-20	0.5 in	1.0 in
R-SD-751-20	¼-20	0.75 in	1.0 in

\* = does not have a threaded top.

## Pin standoff

To elevate and locate a part against the pin.



Part no.	THD	DIA	HT	A	B
R-SP-610-4	M4	6 mm	10 mm	2.5 mm	2 mm
R-SP-910-4	M4	9 mm	10 mm	2.5 mm	2 mm
R-SP-1210-4	M4	12 mm	10 mm	2.5 mm	2 mm
R-SP-610-6	M6	9.5 mm	10 mm	3.8 mm	1.6 mm
R-SP-910-6	M6	9.5 mm	10 mm	3.8 mm	1.6 mm
R-SP-1325-6	M6	12.7 mm	25 mm	3.8 mm	3.2 mm
R-SP-1925-6	M6	19.1 mm	25 mm	3.8 mm	3.2 mm
R-SP-1325-8	M8	12.7 mm	25 mm	3.8 mm	3.2 mm
R-SP-2525-8	M8	25.4 mm	25 mm	3.8 mm	3.2 mm
R-SP-501-20	¼-20	0.5 in	1.0 in	0.15 in	0.125 in
R-SP-751-20	¼-20	0.75 in	1.0 in	0.15 in	0.125 in
R-SP-2550-20	¼-20	0.375 in	0.5 in	0.15 in	0.063 in
R-SP-37550-20	¼-20	0.375 in	0.5 in	0.15 in	0.063 in

## Delrin® pin standoff

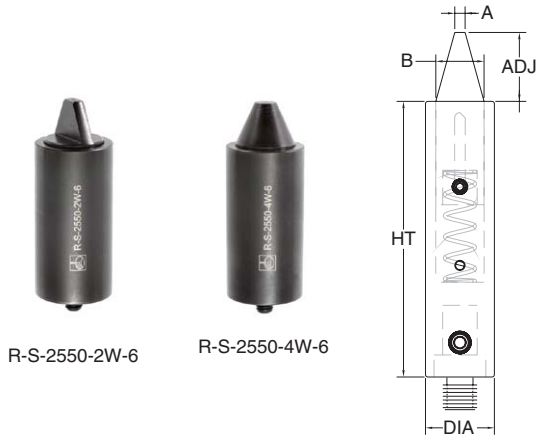
To elevate and locate a part against a pin using a non-marring material.



Part no.	THD	DIA	HT	A	B
R-SPD-910-4	M4	9 mm	10 mm	2.5 mm	2 mm
R-SPD-1325-6	M6	12.7 mm	25 mm	3.8 mm	3.2 mm
R-SPD-501-20	¼-20	0.5 in	1.0 in	0.15 in	0.125 in

## 2-way and 4-way spring-loaded pin standoff

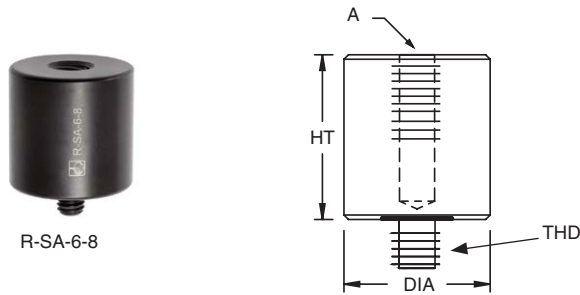
For locating within a hole or slot of a part.



Part no.	THD	DIA	HT	A	B	ADJ
<b>2-way pins</b>						
R-S-1350-2W-6	M6	13 mm	50 mm	2 mm	9 mm	12.5 mm
R-S-2550-2W-6	M6	25 mm	50 mm	7 mm	19 mm	12.5 mm
R-S-2550-2W-8	M8	25 mm	50 mm	7.1 mm	19 mm	12.5 mm
R-S-502-2W-20	¼-20	0.50 in	2.0 in	0.08 in	0.35 in	0.50 in
R-S-12-2W-20	¼-20	1.0 in	2.0 in	0.28 in	0.75 in	0.50 in
<b>4-way pins</b>						
R-S-1350-4W-6	M6	13 mm	50 mm	2 mm	9 mm	12.5 mm
R-S-2550-4W-6	M6	25 mm	50 mm	7 mm	19 mm	12.5 mm
R-S-2550-4W-8	M8	25 mm	50 mm	7.1 mm	19 mm	12.5 mm
R-S-502-4W-20	¼-20	0.50 in	2.0 in	0.08 in	0.35 in	0.50 in
R-S-12-4W-20	¼-20	1.0 in	2.0 in	0.28 in	0.75 in	0.50 in

## Standoff adaptor

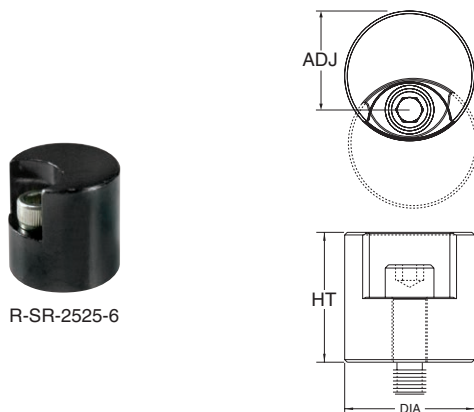
For step clamps and calibration sphere.



Part no.	THD	DIA	HT	A (top THD)
R-SA-14-4	M4	19 mm	15 mm	¼-20
R-SA-6-4	M4	19.1 mm	15 mm	M6
R-SA-4-6	M6	9.5 mm	15 mm	M4
R-SA-8-6	M6	25.4 mm	25 mm	M8
R-SA-6-8	M8	25.4 mm	25 mm	M6
R-SA-14-8	M8	25 mm/1.0 in	25 mm/0.98 in	¼-20
R-SA-10-8	M8	25 mm	25 mm	M10
R-SA-8-12	M12	25 mm	25 mm	M8
R-SA-4-20	¼-20	0.375 in	0.50 in	M4
R-SA-6-20	¼-20	1.0 in	1.0 in	M6
R-SA-8-20	¼-20	1.0 in	1.0 in	M8
R-SA-10-20	¼-20	1.0 in	1.0 in	M10

## Rotator standoff

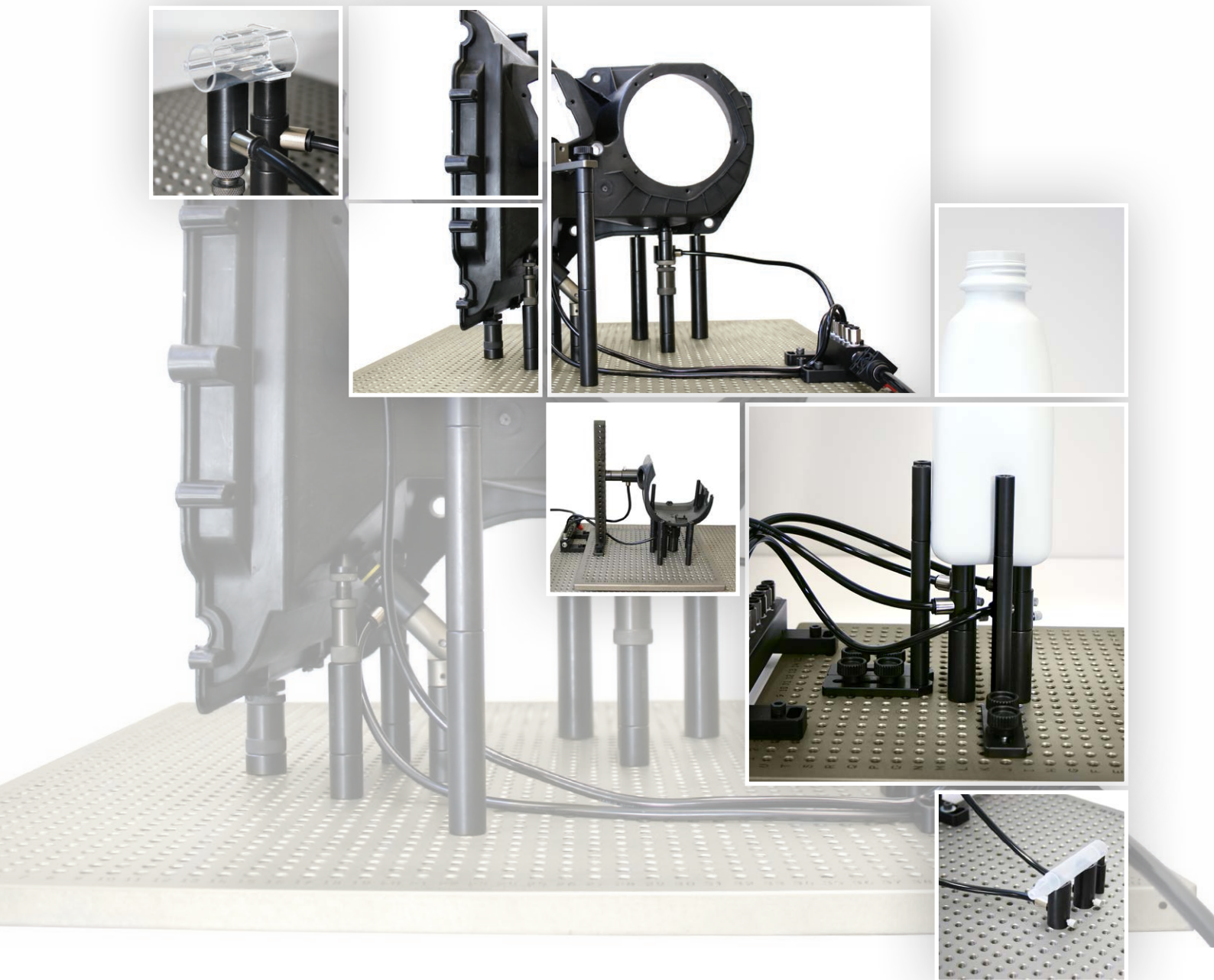
To secure parts against stops/supports.



Part no.	THD	DIA	HT	ADJ
R-SR-2525-6	M6	25 mm	25 mm	19 mm
R-SR-11-20	¼-20	1.0 in	1.0 in	0.76 in



This page is left intentionally blank.

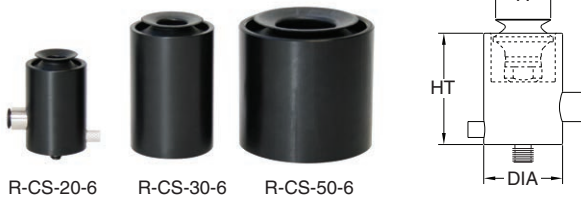


## Suction cups

Our range of suction cups can be used to hold plastic, glass, polystyrene and other non-ferrous parts, contoured surfaces, cylindrical tubes and shafts.

## Suction cup

For holding plastic, glass, polystyrene and other non-ferrous parts.



Part no.	THD	DIA	HT	A
R-CS-5-6	M6	18.8 mm	35 mm	5.7 mm
R-CS-10-6	M6	18.8 mm	45 mm	11 mm
R-CS-20-6	M6	31.5 mm	45 mm	22 mm
R-CS-30-6	M6	44.2 mm	65 mm	34 mm
R-CS-50-6	M6	69.6 mm	65 mm	53 mm
R-CS-5-20	¼-20	0.74 in	1.38 in	0.22 in
R-CS-10-20	¼-20	0.74 in	1.75 in	0.43 in
R-CS-20-20	¼-20	1.24 in	1.75 in	0.87 in
R-CS-30-20	¼-20	1.74 in	2.5 in	1.34 in
R-CS-50-20	¼-20	2.74 in	2.5 in	2.09 in

N.B. Requires R-CSH-MSC, available separately.

## Exposed suction cup

For holding contoured surfaces.

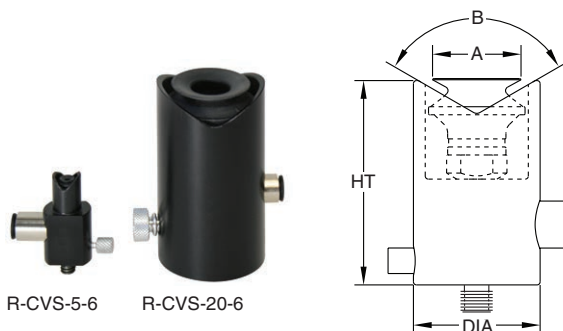


Part no.	THD	DIA	HT	A
R-CES-10-6	M6	18.8 mm	41.7 mm	11 mm
R-CES-20-6	M6	31.5 mm	49.4 mm	22 mm
R-CES-30-6	M6	31.5 mm	56.6 mm	34 mm
R-CES-50-6	M6	31.5 mm	66.6 mm	53 mm
R-CES-10-20	¼-20	0.74 in	1.64 in	0.43 in
R-CES-20-20	¼-20	1.24 in	1.94 in	0.87 in
R-CES-30-20	¼-20	1.24 in	2.23 in	1.34 in
R-CES-50-20	¼-20	1.24 in	2.26 in	2.09 in

N.B. Requires R-CSH-MSC, available separately.

## Suction V cup

For holding cylindrical tubes and shafts.

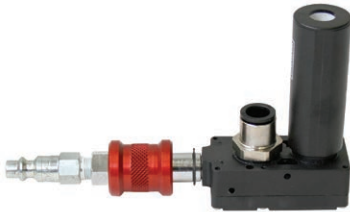


Part no.	THD	DIA	HT	A	B
R-CVS-5-6	M6	19 mm	35 mm	5 mm	90°
R-CVS-10-6	M6	19 mm	41 mm	10 mm	120°
R-CVS-20-6	M6	31 mm	51 mm	20 mm	120°
R-CVS-30-6	M6	44 mm	76 mm	30 mm	120°
R-CVS-50-6	M6	70 mm	89 mm	50 mm	120°
R-CVS-5-20	¼-20	0.74 in	1.46 in	0.22 in	90°
R-CVS-10-20	¼-20	0.74 in	1.62 in	0.43 in	120°
R-CVS-20-20	¼-20	1.24 in	2.0 in	0.87 in	120°
R-CVS-30-20	¼-20	1.74 in	2.98 in	1.34 in	120°
R-CVS-50-20	¼-20	2.74 in	3.5 in	2.09 in	120°

N.B. Requires R-CSH-MSC, available separately.

## Vacuum pump

For suction cups with on/off valve, hose connector and quick disconnect.



R-CSVP

Part no.	Description
R-CSVP	Vacuum pump assembly

N.B. Requires R-CSH-MP, available separately.

## Manifold

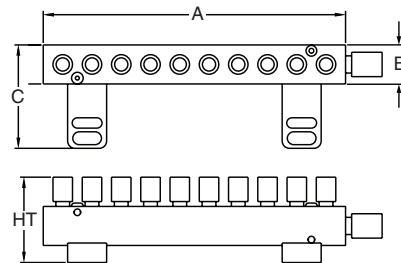
6-port or 10-port manifold can be used vertically or horizontally on base plate.



R-CSM-10P

Part no.	Description	HT	A	B	C
R-CSM-6P	6-port manifold	52 mm	121 mm	25 mm	67 mm
R-CSM-10P	10-port manifold	52 mm	197 mm	25 mm	67 mm

N.B. Requires R-CSH-MP and R-CSH-MS, available separately.



## Vacuum hose

Hose for connecting manifold to vacuum pump and to suction cups.



R-CSH-MS

Part no.	Description
R-CSH-MP	9.5 mm dia. hose to connect manifold to vacuum pump (sold per 1 m)
R-CSH-MS	6.4 mm dia. hose to connect manifold to suction cups (sold per 1 m)

## Suction cup tray

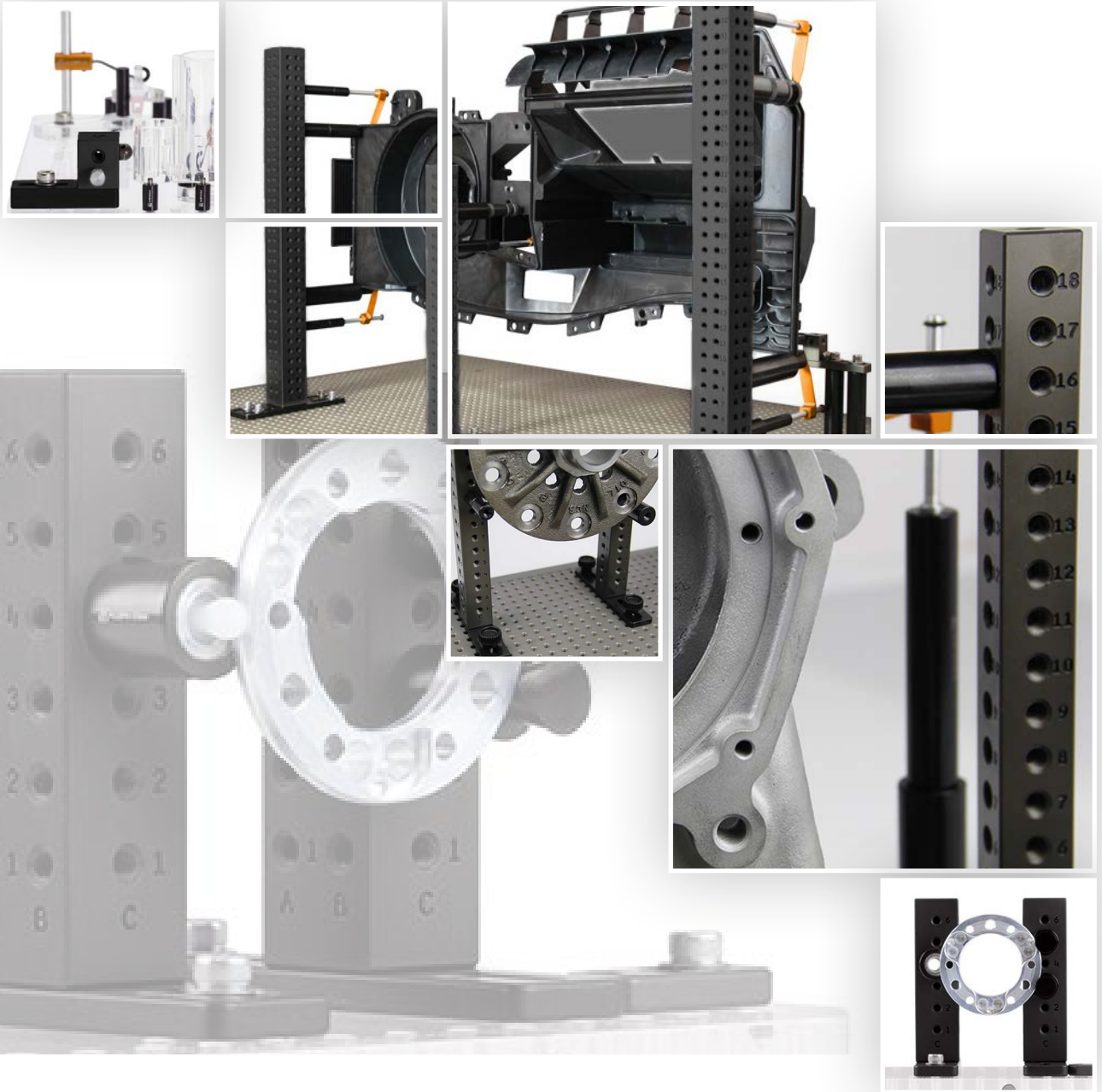
For holding and organising suction cups.



R-TCS-300200

Part no.	THD	Height	Width	Depth
R-TCS-300200	M6	25.4 mm	304.8 mm	190.5 mm
R-TCS-300200	¼-20	1.0 in	12.0 in	7.5 in

N.B. Tray is compatible with both M6 or 1/4-20 suction cup components.

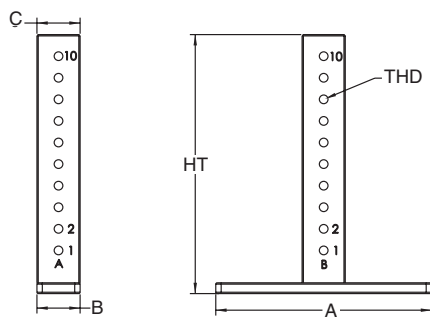


## Towers

Our towers can be used to fixture large components or to hold a part vertically.

## Tower

To hold a part vertically.



Part no.	THD	HT	A	B	C	THD Rows
R-T-2080-4	M4	80 mm	75 mm	20 mm	20 mm	2 / 1*
R-T-25150-6	M6	150 mm	127 mm	25 mm	25 mm	1
R-T-25300-6	M6	300 mm	127 mm	25 mm	25 mm	1
R-T-35300-6	M6	300 mm	152 mm	51 mm	35 mm	2
R-T-35450-6	M6	450 mm	152 mm	51 mm	35 mm	2
R-T-50600-6	M6	600 mm	152 mm	51 mm	50 mm	2
R-T-50750-6	M6	760 mm	152 mm	51 mm	50 mm	2
R-T-25150-8	M8	150 mm	127 mm	25 mm	25 mm	1
R-T-25300-8	M8	300 mm	127 mm	25 mm	25 mm	1
R-T-35300-8	M8	300 mm	152 mm	51 mm	35 mm	2 / 1*
R-T-35450-8	M8	450 mm	152 mm	51 mm	35 mm	2 / 1*
R-T-50600-8	M8	600 mm	152 mm	51 mm	50 mm	2
R-T-50750-8	M8	760 mm	152 mm	51 mm	50 mm	2
R-T-16-20	¼-20	6.0 in	5.0 in	1.0 in	1.0 in	1
R-T-112-20	¼-20	12.0 in	5.0 in	1.0 in	1.0 in	1
R-T-1512-20	¼-20	12.0 in	6.0 in	2.0 in	1.5 in	2
R-T-1518-20	¼-20	18.0 in	6.0 in	2.0 in	1.5 in	2
R-T-224-20	¼-20	24.0 in	6.0 in	2.0 in	2.0 in	2
R-T-230-20	¼-20	30.0 in	6.0 in	2.0 in	2.0 in	2

Included: socket head cap screws.

\* Two sides have two rows of holes and two sides have one row of holes in the centre.

## Tower block with base

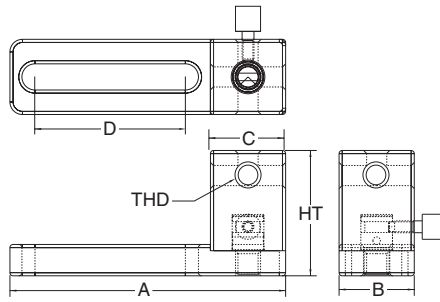
For positioning a component vertically to the part set-up. Can be used without the base to allow full rotation.



R-TB-2530-8

Part no.	THD	HT	A	B	C	D
R-TB-1619-4	M4	26.4 mm	41.3 mm	15.9 mm	15.9 mm	15 mm
R-TB-2025-6	M6	35 mm	70 mm	20 mm	20 mm	35 mm
R-TB-2530-8	M8	40 mm	88.9 mm	25 mm	25 mm	45 mm
R-TB-751-20	¼-20	1.25 in	2.75 in	0.75 in	0.75 in	1.5 in

Included: socket head cap screws.





This page is left intentionally blank.

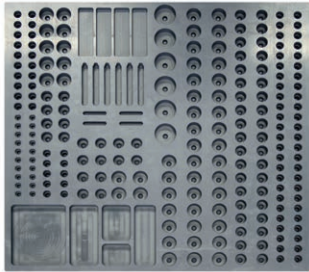


## Trays

To hold and organise fixturing components.

## Large component tray

To hold and organise components.



R-TC-560500

Part no.	THD	Height	Length	Width
R-TC-560500	M6/M8/ ¼-20	25 mm/ 1 in	560 mm/ 21.5 in	500 mm/ 20 in

## Medium component tray

To hold and organise components.



R-TC-500200

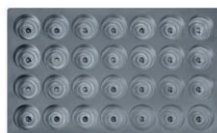
Part no.	THD	Height	Length	Width
R-TC-500200	M6/M8/ ¼-20	25 mm/ 1 in	500 mm/ 20 in	200 mm/ 8 in

## Small component tray

To hold and organise components.



R-TC-300190-4



R-TC-300200



R-TC-300190-20

Part no.	THD	Height	Length	Width
<b>M4 component tray</b>				
R-TC-300190-4	M4	25 mm	300 mm	190 mm
<b>M6/M8 component tray</b>				
R-TC-300190-6	M6	25 mm	300 mm	190 mm
R-TC-300200	M6/M8/ ¼-20	25 mm/ 1 in	300 mm/ 12 in	200 mm/ 8 in
<b>¼-20 component tray</b>				
R-TC-300190-20	¼-20	1 in	12 in	8 in

## Component storage box

10-compartment box to hold and organise components.

Part no.	Height	Length	Width
R-BC10	45 mm	203 mm	152 mm



R-BC10

This page is left intentionally blank.

---

This page is left intentionally blank.

This page is left intentionally blank.

## About Renishaw

Renishaw is an established world leader in engineering technologies, with a strong history of innovation in product development and manufacturing. Since its formation in 1973, the company has supplied leading-edge products that increase process productivity, improve product quality and deliver cost-effective automation solutions.

A worldwide network of subsidiary companies and distributors provides exceptional service and support for its customers.

### Products include:

- Additive manufacturing and vacuum casting technologies for design, prototyping, and production applications
- Dental CAD/CAM scanning systems and supply of dental structures
- Encoder systems for high-accuracy linear, angle and rotary position feedback
- Fixturing for CMMs (co-ordinate measuring machines), vision machines and Equator™ gauging systems
- Gauging systems for comparative measurement of machined parts
- High-speed laser measurement and surveying systems for use in extreme environments
- Laser and ballbar systems for performance measurement and calibration of machines
- Medical devices for neurosurgical applications
- Probe systems and software for job set-up, tool setting and inspection on CNC machine tools
- Raman spectroscopy systems for non-destructive material analysis
- Sensor systems and software for measurement on CMMs
- Styli for CMM and machine tool probe applications

For worldwide contact details, visit [www.renishaw.com/contact](http://www.renishaw.com/contact)



RENISHAW HAS MADE CONSIDERABLE EFFORTS TO ENSURE THE CONTENT OF THIS DOCUMENT IS CORRECT AT THE DATE OF PUBLICATION BUT MAKES NO WARRANTIES OR REPRESENTATIONS REGARDING THE CONTENT. RENISHAW EXCLUDES LIABILITY, HOWSOEVER ARISING, FOR ANY INACCURACIES IN THIS DOCUMENT.

© 2019 Renishaw plc. All rights reserved.

Renishaw reserves the right to change specifications without notice.

RENISHAW and the probe symbol used in the RENISHAW logo are registered trade marks of Renishaw plc in the United Kingdom and other countries. apply innovation and names and designations of other Renishaw products and technologies are trade marks of Renishaw plc or its subsidiaries. All other brand names and product names used in this document are trade names, trade marks or registered trade marks of their respective owners.



H - 1000 - 9971 - 01

Part no.: H-1000-9971-01-C  
Issued: 08.2019